



# Woodburning stoves





.....

# *Environmentally friendly wood burning stoves – cosy heat and clean lines*

.....

*When the TermaTech architects begin designing a stove, the starting point is that the aesthetics, quality and efficiency must work beautifully together. Your new wood burning stove is going to be the centre piece of your home for many years to come. It must be attractive to look at, kind to the environment and cost effective.*

*TermaTech continue to evolve with pride and care, taking form and function to a new level. Our stoves are easy to operate and suit a variety of budgets. We also make it our responsibility to reduce carbon emissions from the very beginning of the process. Many of our popular stoves are even DEFRA approved for smokeless zones.*

*Reasonable prices bring these beautiful designs to any home.*



*The TT60 range  
- a modest  
homage to our  
very first stove*

TT60S

The likeness with "La Grande Arche" is particularly marked when TT60 is clad with smooth diamond-honed stone sides, which in addition to their exclusive appearance have the advantage of the heat-storage properties of Brazilian soapstone. The resources of nature married to elegant styling.

## The TT60 range

The TT60's minimalistic lines are in line with current trends, but take the mind back to the design of our first wood-burning stove - the TT1, with its focus on the simple essentials.

Design enthusiasts will recognise the inspiration we have taken from "La Grande Arche" in Paris, while the overall look of the stove continues the clean and elegant lines of the rest of our design range.

The receding lines in the cast iron door naturally lead the eye towards the living flames in the modern firebox. This feature is particularly emphasised in the soapstone variant, as the lines extend into the actual stone - a detail repeated in the elegant wooden casing of the discreet door handle.

The cast-iron door is easily opened with the smart handle in stainless steel and black-stained oak, and thanks to the magnetic two-point closure mechanism provides reliable operation without the wear caused by moving parts.

The handle is situated as standard at the base of the cast-iron door, but can be moved to the top if desired.

The firebox is 37 cm in width, and is so far the cleanest burning example we have developed, meeting the requirements of all known European standards. With an efficiency of 83%, TT60 matches the same high level as TermaTech's other models.

As an option, the handle in the TT60 range is offered in an exclusive oiled oak variant.

---

## TT60

---

The TT60 basic model is characterised by simplicity and clean, harmonious lines. The rough finish of the cast-iron door with its receding sides naturally leads the eyes towards the living flames in the firebox. The details are further underlined by the thick 5 mm steel sides and top plate. The stainless steel trim adds

an extra dimension to the design, highlighting the stove's simple lines.

A reinterpretation of a design classic at an attractive price.



# *A sleek and timeless look in cast iron*

## **TT30 range:**

The TT30 is a range of wood-burning stoves for real connoisseurs. The doors, top and combustion chamber are constructed from cast iron, an extremely robust material, that gives the stove a solid expression. Moreover, the stove is slimmer than our other models, meaning that it appears light despite the solid choice of material.

## **Design:**

In terms of design, we have tried to create a stove with a sharp edge. Simple, but elegant. The characteristic inward-sloping edges on the door and the top place the focus on the flame picture and the lovely stainless steel handle complete the stylish look.

The vertical lines of the insulation material further underline the simplicity in the contemporary sleek Scandinavian design.

## **Functions:**

The cast-iron door is closed by means of two magnets. This means that all movable wear parts are omitted from the closing mechanism. Easy operation is also a must, and the regulating handle, which controls all air supply, is therefore located between the door and the firewood storage compartment so that it is easy to operate.

The glass panel is equipped with an effective "air wash" that blows the convection air down the glass. This way, the formation of soot is minimised and the fantastic flame picture is maintained.

Furthermore, the TT30 is equipped with a fresh air connecting piece whereby the fresh convection air can be extracted from outside and connected directly to the stove's air duct. This is often necessary in modern and new build properties which are well insulated and airtight.

## TT30S

What is striking about the TT30S is its soapstone cladding; a natural material that stores the heat from the stove and releases it gradually after the fire has gone out.

The front is made of cast iron adding to the perfect design. A beautiful combination of two sturdy materials that look great together.



---

## TT30

---

Elegant design, quality finish and easy operation are the most important characteristics of TermaTech's new wood-burning stove – the TT30. The door, top and fire chamber are made of cast iron, an extremely strong material that gives the stove a solid look.

The stove is also slimmer than many of our other models, which means that it has a light appearance despite the solid choice of materials.



## The TermaTech TT30 range

---

### TT30G

---

With glass on three sides, the TT30G provides a fantastic experience; allowing the flame to be enjoyed from several different angles. The design is simple, elegant and timeless.



---

### TT30GS

---

TT30GS combines uncompromising functionality and design. The “side windows” in the soapstone are uniquely carved and polished out of one single piece of soapstone, so that the stove's elegant and slender lines are maintained without unnecessary joints in the stone. The doors, stove top and fire chamber base are made of cast iron and, as mentioned, the rest of the appliance is finished with soapstone.



*The TT21 range  
- Tiptop quality  
at an attractive  
price*

## TT21RS

The TT21RS wood-burning stove completes your experience of the elements.

The crackling flames from the fire combine beautifully with the raw, rustic exterior of soapstone and bring to mind the primeval forces of nature.

The unique, heat-retaining properties of the soapstone combine with the gentle shapes in the elegant, timeless cast iron door, which closes with the aid of two heat-resistant magnets. This means there is no need at all for moving parts in the door design, guaranteeing a long useful life and maintenance-free function.





## TT21R

The TT21R is the result of five years of continuous product improvement.

The wood-burning stove's elliptical "core" is based on the DNA of the well-known, tried and tested TT20 range, but in this version it has been updated with a superb cast iron top with associated convection grille and cover, also in cast iron.

The gentle shapes are reflected in the elegant, timeless cast iron door, which closes with the aid of two heat-resistant magnets.

This means there is no need at all for moving parts in the door design, guaranteeing a long useful life and maintenance-free function.



## The **TermaTech** TT21 range - Timeless elegance

### **TT21 range:**

The TT21 stove range satisfies all the requirements and desires which a modern user could wish for. Easy operation and smart cast-iron details, all packaged in a timeless and stylish Scandinavian design – and available at very a reasonable price.

### **Design:**

There are two basic variants to choose from – with or without soapstone. On top of this, you can add details such as heat storage, a shaped glass hearth or a combustion chamber door with an option for integrated fire tools.

The elegant door handle underlines the clean design. Combined with the unique closing mechanism on the cast-iron door, operated by means of heat-resistant magnets, this guarantees optimum ease of use and a long service life.

### **Functions:**

Combustion is controlled by a discreet and easily operated regulator handle under the cast-iron door, while the large

ash box and its door make disposing of the ash simple and clean, when, rarely enough, it needs emptying.

The depth of the combustion chamber provides good, effective firing, while allowing for a large ember layer and preventing ash from blowing out.

The top plate, door, smoke nozzle and combustion chamber base are all made from cast iron, thus extending lifespan and enhancing stability.

In modern highly airtight homes, it may be necessary to connect a fresh air supply to the stove, as the amount of combustion air your stove needs may be insufficient if taken solely from the room.

All TT21 models can be directly connected to a fresh air supply from the combustion chamber by means of a fresh air nozzle and a fresh air kit. (Optional extra)

A further advantage of using external fresh air is that the stove does not use the home's heated air for combustion. In this way, the heated air stays in the home, thus increasing your comfort and saving on your expenses.

*TT20 The centre  
of the home...  
for comfortable  
living*



TermaTech TT20 is a range of stoves that combine the best operational comfort, with high product quality and sleek Scandinavian design.

And then there is the price. We have designed the TT20 to be a real 'people's stove' one of the most popular stoves on the market for the price. Naturally the stoves fulfil the latest and most stringent European requirements: the efficiency is even above 83%.

Eight models – all designed with care and manufactured out of high quality materials. Regardless of the model you choose, you can be sure of solid construction and well thought out design.

**Flexible design:**

Choose between straight or rounded steel sides, alternatively soapstone covering with straight or round sides. The soapstone can even be fitted retrospectively for a new look.

**Easy to operate:**

It is easy to control the air for combustion. An air regulator, discretely placed under the cover does it all. You can connect fresh air/outdoor air directly to the combustion chamber on the TT20, which may be necessary in newly built or newly renovated homes.



*Cast iron door and fire chamber base*



*Ergonomic and cool to the touch handle*



*Large ash drawer with cover*



*Air regulator*

**Practical ash drawer:**

The ash drawer is large and easy to access when it, at rare intervals, must be emptied. A lid is included, so that you can carry the ash out safely.

**Cast iron, where it makes a difference:**

Cast iron in the bottom and the door frame means a long life-span and stability in the door.

**Well thought out combustion chamber:**

The deep combustion chamber ensures that there are flames in the centre, while at the same time minimising the risk of embers and ash falling out.

**Cool handle:**

The handle is ventilated and it's position means that it is always cool to the touch.

**Wide range of accessories:**

There is a wide range of accessories especially designed for the product range: Revolving and easily accessible door in the firewood storage compartment or the matching firetool set (available as an optional extra).

## TT20RS

Fitted with almost 80 kilos of rounded soapstone on the sides and top plate.

The lavish amount of soapstone isn't just a beautiful cover, it ensures even more heat is absorbed and subsequently released than in other smaller soapstone stoves.



## The TermaTech TT20 range



## TT20

The range's slim basic model. The stove has straight steel sides lacquered in black or grey.

For those who want all of the TT20 advantages for an economic price. Operation of the stove is so simple that anyone can quickly and easily become familiar with it. The air intake has a single operating handle which gives immediate control.



## TT20Streamline

For those who want the advantages of the TT20 for the lowest possible investment. The design with its two free-standing legs is modern, light and yet reminiscent of the older cast-iron stoves. It gives you the latest technology combined with a classic appearance.



## TT20R

As the base model but equipped with rounded steel sides.

The round sides create a harmonic unit that is suitable for both a straight wall or placing in a corner.



## TT20S

Equipped with straight sides and top plate in soapstone.

Soapstone absorbs the heat slowly and gives off the accumulated heat long after the fire has died out.

Soapstone is a 100% natural product and its appearance varies from stove to stove.



## TT20SA

If you love the look, feel and extra efficiency of soapstone but prefer a warmer look then this beautiful Indian sandstone is for you.

The characteristics of the Indian sandstone are every bit as good as the soapstone but the appearance is very different. The TT20SA is available in black with sandstone.

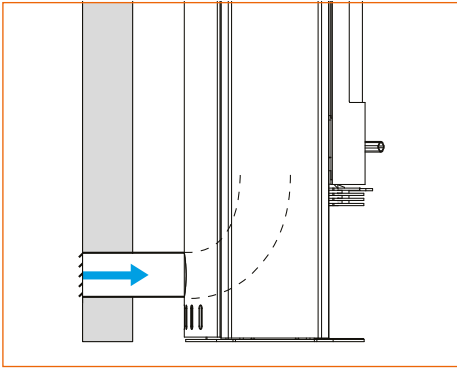


## TT20Streamline R

TT20Streamline R with its rounded sides is the latest addition to our best-selling, tried and tested wood-burning stove range.

Here is a firebox which complies with all the tough European requirements, together with a stove which is amazingly easy to use and control. The low position of the handle and convection cooling ensure you can always operate the stove without the use of gloves. In terms of price, TT20Streamline R is in a class of its own. Taking price, quality and features into consideration, there is scarcely a better alternative on the market. The stove's size and output are perfect for smaller rooms or holiday cottages. Many buyers like the option of storing wood in the compartment under the door, but if you prefer a more elegant and closed design, a blanking cover can be purchased for mounting over the firewood compartment.





## Direct air connection kit

Newly built and very well insulated houses are often airtight. Here it may be necessary to supply external air to the room where the stove is located. With a TT10, TT20, TT21, TT22, TT30 or TT60 this air (also called combustion air) can be supplied directly to the stove's air ducts through the matching direct air connection kit.

You will avoid having to open windows or vents and also avoid wasting heat.

## TermaTech TT20 accessories

### A complete selection of beautiful accessories.

Give your new TT20 its own expression and make your daily life with the stove even easier.

TermaTech has designed accessories for the TT20 range that perfectly suit the beautiful lines of the stove; ensuring both aesthetics and ease of operation has been thought through from start to finish.



## Log grate

The log grate is an old invention that comes in a new and improved package. It ensures that neither the embers nor the wood fall out of the stove, even if you have put just a little too much wood in. It also minimises the risk of ash whirling out and ending up on the inside of the door.

## Shaped glass hearth

The glass plate gives a lighter expression and is easy to remove for cleaning. The accompanying adjustable feet must be mounted beneath the stove before using the shaped glass hearth.

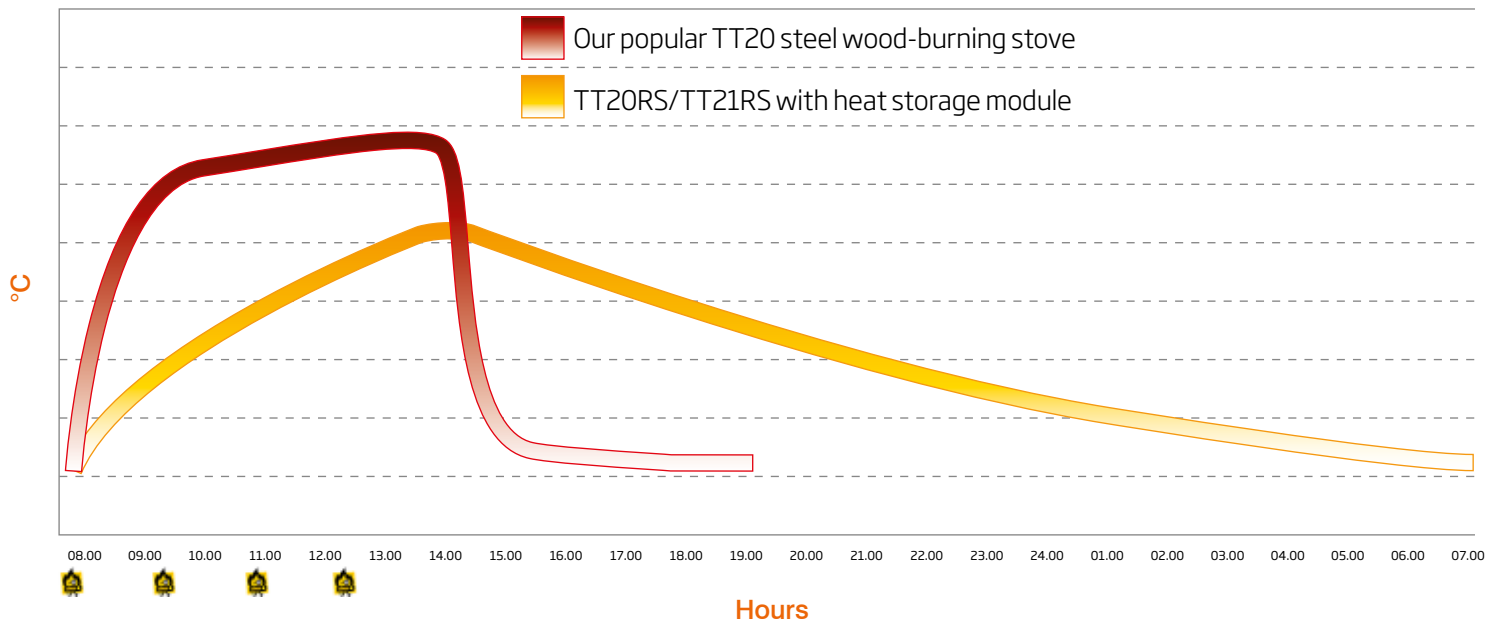
## 360° revolving door Fireplace set

If you want to complete the stove's beautiful lines and hide the accessories you often use with the stove, then the revolving door is an obvious choice. This door gives the stove a completely different look. It hides your igniter, gloves and other accessories that you do not want to be visible.

Turn the door 180° and you have easy access to everything you need to operate your stove: a broom, a poker and a shovel. You will avoid having the space around your stove cluttered with accessories, as they are now an integrated part of the stove.



# Heat Storage



## TT20RS/TT21RS with Heat Storage Module and Footing Stone

For the popular TT20RS/TT21RS, we have developed a heat storage module in beautiful soapstone.\*

The unique ability of the soapstone allows the heat to be stored for up to 13 hours after the last stoking.\*\*

- Soapstone has the ability to collect the heat energy and release it slowly.
- The module consists of a platform and six soapstone parts that can be easily fitted onto your new TT20RS/TT21RS.
- If you are already the happy owner of a TT20RS/TT21RS, your dealer can retrofit the heat storage module onto your stove.
- Altogether, the stones weigh almost 100kg. The TT20RS/TT21RS currently has about 80kg of soapstone, with the heat storage module added, you get almost 180kg of pure heat storage.
- The diagram at the top of the page shows the heat storage difference of a standard steel stove and a TT20RS/TT21RS with heat storage.
- The steel stove heats up quickly, releases plenty of heat, but gets cold shortly after the flame has gone out.
- The soapstone absorbs plenty of heat energy and continues to gradually release it even after the fire has gone out.
- The footing stone, which completes the overall look, can be retro-fitted onto both the TT20S, TT20RS and the TT21RS.
- The footing stone does not become warm because of its position, but it gives the stove a beautiful appearance.

\* Please be aware that soapstone is a 100% natural material and every single stone is unique. Therefore, there will be differences in the structure and shade of the stones.  
 \*\* The measurement results are based on tests conducted in a 70sqm room with a standard ceiling height and insulation.



TT22H

## TermaTech TT22 range

### TT22 range:

Heat lovers will love TermaTech's new TT22 range. Timeless Danish design combined with high quality build and environmentally friendly combustion. Single handle air control makes it simple to manage the level of heat output and the flame height. You can burn the stove slowly with a 5kW heat output or work the stove harder with a high output, around 10kW. Options include: black or grey, steel or soapstone. The efficiency is even above 82%.

### Cool handle:

The handle is ventilated and it's position means that it is always cool to the touch so you avoid burning your fingers.

### Flexible design:

If you want to change the look of your stove once installed then the soapstone covering can be added retrospectively to replace the steel and maximise the conversion of your fuel into heat. We have high models, low models and a unique variant which almost seems to hover in the air, with a pedestal foot. And if you should at any time want to give your stove a make-over, the cladding on many models can be changed from steel to soapstone, or vice versa. Common to all TT22 models is that they can be connected to the flue from the top or from the rear.

### Easy to operate:

You can connect a direct air feed kit to the combustion chamber on the TT22 which may be necessary in new build properties or newly renovated homes to meet the building regulations.

### Practical ash drawer:

The ash drawer is large and easy to access when it needs emptying. A lid is included so that the ash can be removed securely.

### Cast iron, where it makes a difference:

Cast iron at the base of the chamber and a cast iron door ensures a long life for your stove and stability when the stove is under fire.

### Well thought out combustion chamber:

The deep combustion chamber centralises the flames in the stove for the perfect flame picture minimising the risk of embers or ash falling from the stove. They have a full 57 cm of width, allowing you to use logs of up to 50 cm without placing them diagonally.







*Shaped glass hearth*



TT22HST



TT22R

---

## TT22RP

---



## TermaTech Serious heat never looked so good

---

### TT22RP

---

TT22RP is part of the TT22 range, but is distinguished by the special lightness of its appearance. The panoramic view of the flames inside the stove, combined with the wide foot gives the stove stability, but at the same time a harmony of overall design. The stove's external sides are rounded, so the impression of lightness is reinforced by the softness of the forms.

The stove almost appears to hover in the air, in large part due to the pedestal, which has an integrated fresh air inlet, easily activated.

Together with the pedestal, the wide cast-iron foot guarantees the stove's 100% stability, but it can also be adjusted to match any unevenness in the floor.

The TT22RP is unique in appearance, due to the combination of large firebox, compact cast-iron design, wide panoramic viewing area and elegant lightness.



## TT22

The new TT22 is easy to operate, with a stay cool handle. The beautiful design is built to last.

If you are looking for a beautiful contemporary stove with a large heat output then please visit your local TermaTech stove dealer.



## TT22S

Your new beautiful heating unit, equipped with top plate and straight sides in soapstone.

Soapstone absorbs the heat slowly and gives off the accumulated heat long after the fire has died out.

Soapstone is a 100% natural product and its appearance varies from stove to stove.



## TT22R

The cast iron top and the rounded sides compliment the front's soft lines – the result is a beautiful appliance.

Underneath the fire chamber there is space to store firewood, and the ventilated “cool touch” handle means that you will not burn yourself when adding firewood to the fire.



## TT22H

The TT22H is the latest addition to the popular TT22 family. The TT22H is built on the same ingenious combustion chamber as the other models in the range and thus you are assured of mesmerising and effective combustion. The extra height has been added at the bottom where the firewood storage compartment is now closed off by an attractive cover with soft-touch magnetic closure.



## TT22HS

The TT22HS offers all the best features from the world of wood-burning stoves in 2017. Some will say it is large and heavy, others will say it is attractive and elegant, but nobody can deny that it is a fantastic piece of furniture in its own right, wherever it is placed.



## TT22HST

HST stands for Heat Storage and means that this stove is able to store heat for a longer time.

4 large soapstone blocks are placed beneath the top stone, which also stores the heat from the stove.

Like the other TT22 stoves, the spacious fire chamber, with a total width of 57 cm, allows you to burn both small and large pieces of firewood.

# *TT10*

## *panoramic view with character*



The elegant TT10 range is comprised of four different models, all of which have quality, construction and design on a par with stoves that are significantly more expensive.

With the TT10 you get a proven woodburning stove, which has the same brilliant air control system as our newest models. The high, curved, panoramic front allows the fire to be enjoyed from different angles. The door has a two-point closure, with cast iron in the bottom and in the door that ensures stability and a long life span.

Combustion wise the TT10 is exceptional. The TT10 is adjusted quickly and easily with the aid of a single control grip.

In newly built and especially well-insulated houses, it may be necessary to supply external air to the room where the stove is mounted.

All TT10 models can be directly connected to fresh air via the stove's air duct, so heat is not wasted through open windows or vents.

## The **TermaTech** TT10 range





## TT10

The base model in the range. Equipped with rounded steel sides.

An accomplished design with the curved panoramic front means the fire can be viewed from several angles.



## TT10HS

The top model in the popular and elegant TT10 range, which meets the most stringent environmental requirements in Europe. The stove has a heating compartment that keeps your coffee warm while spreading a cosy atmosphere. The soapstone keeps the room warm, as it stores the heat and emits it slowly.



## TT10S

Equipped with an elegant and solid soapstone covering.

As soapstone is a natural product, no two stoves are completely alike – your stove is totally unique. Soapstone absorbs the heat slowly and gives off the accumulated heat long after the fire has died out.



## TT10G

The two extra glass panels on the sides of the stove allow the fire to be enjoyed from any angle. The TT10G is the shining focal point in any room.

## TermaTech TT1Z



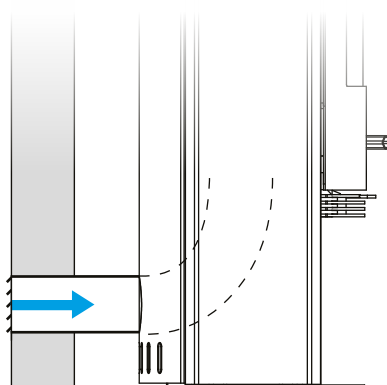
## TT1Z

If you like the classic, sharp-edged, elegant look, the TT1Z is the correct choice for you. A tried and tested model which has proved its worth over many years. No compromises have been made in its construction. The TT1Z burns attractively and cleanly, while the stove housing has a timeless design and is easy to operate. A piece of furniture in its own right, which is particularly suitable for a minimalistic style.

## Direct air connection kit

Newly built and very well-insulated houses are often airtight. Here it may be necessary to supply external air to the room where the stove is mounted. With a TT10, TT20, TT21, TT22, TT30 & TT60 this air (also called combustion air) can be supplied directly to the stove's air ducts through the matching direct air connection kit.

You will avoid having to open windows or vents and also avoid wasting heat.



*All  
you need  
is fire...*

TermaTech is a full service supplier of everything for the woodburning stove.

At your professional stove dealer you will find TermaTech's wide range of accessories for your stove. It begins with the hearth under the stove and ends with the rain cap at the top of the chimney. Shown below is only a selection of TermaTech's range of accessories, which includes: pipes, hearths, fire tools, wood baskets, stainless steel chimneys, firestarters, extractors and much more.

See more on [www.termatech.com](http://www.termatech.com)

## Serrated Tongs

With just one hand you can easily and safely position firewood in your stove or fireplace. The perfect tool for "the person who has everything – including a wood-burning stove".



## Firewood cart

Stack your firewood in an elegant way with our smart firewood cart, which is practical and transportable. Available in white and black.

## Glass cleaner

Keep your wood-burning stove's glass clean. Effectively remove burnt-on soot from the glass. Spray on and leave it to work – wipe off with ordinary kitchen towel. Easy and effective without scratching.

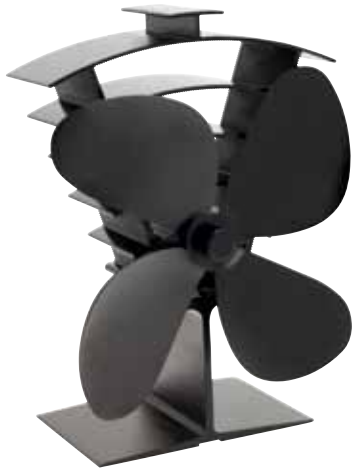


## Firetool "Edge 3"

Wall hanging tool set to complete the contemporary look of your stove and keep the look of your stove beautifully simple.

## Heat power

Now you can get even more out of the heat from your wood burning stove. Heat power is a heat-driven fan located above your stove. The energy in the heat is converted into electric current. The current drives the fan, which sends the hot air out into the living room. No batteries and no power supply – just light the stove and before long, your heat power will be working for you.



## Biofirestarters

Wax covered wood shaving that effortlessly light your stove with just one firelighter.

## Rubber or organic leather cylinder for firestarters

Practical storage for your firestarters.



## TermaTech accessories

### Woodrack

Woodrack firewood shelving consists of a strong, powder-coated steel construction. The basic module is one metre wide and can be extended with as many sections as you require.



### Lighter

With its unique "welding beam", this lighter makes lighting up easy. It is easy to refill and is fitted with a rubber handle and child-proofing.



*Firewood is beautiful...*



## Firewood basket

A wide range of firewood baskets in attractive materials. TermaTech's firewood baskets are made from felt, leather, steel and recycled car tyres, making it easy to carry firewood into the living room. TermaTech's baskets ensure that the area round the stove remains clean and tidy. The only limit is your own imagination when it comes to using the many variants.





---

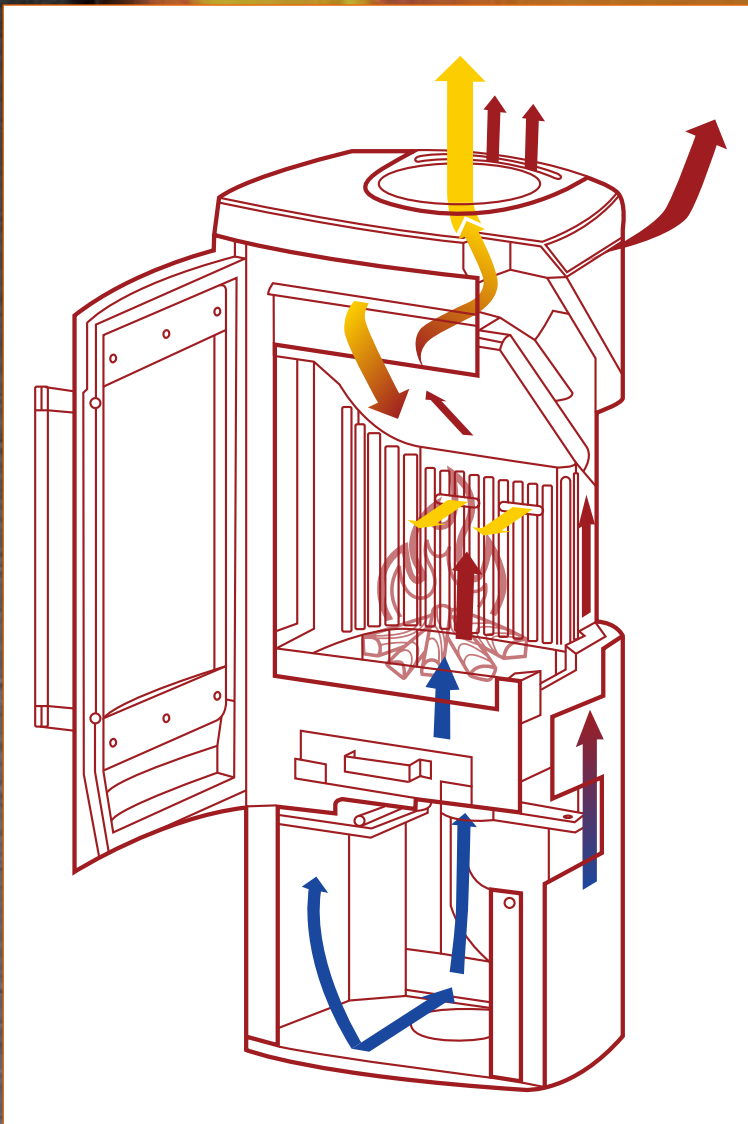
## Air flow

---

Most of TermaTech's wood-burning stoves are convection stoves. This means that there is an inner shell and an outer shell. The air between the two shells quickly becomes heated, rises upward and is distributed faster throughout the entire room. The stove takes in cool air from the bottom, heats it up and then the air is distributed at the top of the stove.

The difference between a well-functioning convection stove and a radiant heater is that with a convection stove you achieve a better and more uniform heat distribution in the room.

The convection stove is also less warm on the outer surfaces.



## Achieve natural heat storage with soapstone



*Soapstone is a pure, natural material and the appearance varies from stove to stove.*

About 2.7 billion years ago soapstone, which is a mineral type of rock consisting primarily of talc, was created in the subsurface. Talc absorbs and conducts heat in quite an exceptional way, which makes soapstone an ideal choice for wood-burning stoves.

Soapstone absorbs the heat from the wood-burning stove so that the heat is stored and released long after the flame has gone out. This means the heat from the

wood-burning stove lasts much longer, is more evenly distributed and feels more comfortable in comparison to a standard convection or radiation stove.

The amount of soapstone is the deciding factor as to how much heat can be accumulated. The more soapstone a wood-burning stove is clad with, the more heat that is stored and released.

### From subsurface to cladding

The soapstone is quarried in "Rio das Velhas" in Brazil, where the stone is cut out in large blocks and brought up from the subsurface. When the stone has been processed, it is given a water/diamond polish, which makes the soapstone used by TermaTech unique.

The polishing accentuates the stones colours, lines and veins and makes the surface silky-smooth, which improves the stone's resistance to dirt.

Contrary to other types of stone, soapstone has a more soft and lively surface, which makes it an easy-maintenance material if scratches should appear. At [termatech.com](http://termatech.com) you will find instructions on how easy it is to maintain and repair soapstone allowing its unique appearance to be preserved.

Since soapstone is a natural material, there is a natural variation in the structure and surface of the stone, which makes each stone and wood-burning stove unique.

## Soapstone - Brazil's hidden treasure



# TermaTech Woodburning stoves



TT1Z



TT10



TT10G



TT10S



TT10HS



TT20



TT20R



TT20Streamline



TT20Streamline R

**New!**



TT20SA



TT20S



TT20RS

TT20RS  
+ Footing stoneTT20RS  
+ Heat storage module  
+ Footing stone

TT21R

**New!**



TT21RS

**New!**



TT22



TT22R



TT22RP

**New!**



TT22H



TT22S



TT22HS



TT22HST



TT30



TT30G



TT30GS

**New!**



TT30S



TT60

**New!**



TT60S

**New!**

## TT1/TT10 range

|                                | TT1Z   | TT10          | TT10S    | TT10HS   | TT10G         |
|--------------------------------|--|---------------|----------|----------|---------------|
| Energy efficiency class        |  |               |          |          |               |
| Nominal effect in kW           | 6  | 6             | 6        | 6        | 6             |
| Operating range in kW          | 4 - 8  | 3 - 8         | 3 - 8    | 3 - 8    | 3 - 8         |
| Efficiency %                   | 78   | 82            | 82       | 82       | 82            |
| Heats m <sup>2</sup>           | 30 - 140                                       | 30 - 140      | 30 - 140 | 30 - 140 | 30 - 140      |
| Weight in kg                   | 107  | 116           | 190      | 220      | 116           |
| Colour: Black (Item number)    | S01-114  | S01-400       | S01-410  | S01-422  | S01-440       |
| Colour: Grey (Item number)     | ○  | ○             | S01-411  | S01-423  | ○             |
| Air connection kit available   | ○  | ●             | ●        | ●        | ●             |
| Convection stove               | ●  | ●             | ●        | ●        | ●             |
| Airwash                        | ●  | ●             | ●        | ●        | ●             |
| Ash drawer                     | ●  | ●             | ●        | ●        | ●             |
| Control handle                 | 2  | 1             | 1        | 1        | 1             |
| Connection top/rear            | ●  | ●             | ●        | ●        | ●             |
| Warranty, up to years          | 5  | 5             | 5        | 5        | 5             |
| Flue pipe connection diameter  | 150  | 150           | 150      | 150      | 150           |
| Combustion chamber width/depth | 340/298  | 340/309       | 340/309  | 340/309  | 340/309       |
| Accessories                    | ○  | Soapstone top | ○        | ○        | Soapstone top |
| Approvals                      | CE / EN13240, HETAS, 15A, VKF, SINTEF, DINplus |               |          |          |               |

## TT20 range

|                                | TT20   | TT20R    | TT20S /<br>TT20SA | TT20RS   | TT20Streamline /<br>TT20Streamline R |
|--------------------------------|--|----------|-------------------|----------|--------------------------------------|
| Energy efficiency class        |  |          |                   |          |                                      |
| Nominal effect in kW           | 5  | 5        | 5                 | 5        | 5                                    |
| Operating range in kW          | 3 - 7  | 3 - 7    | 3 - 7             | 3 - 7    | 3 - 7                                |
| Efficiency %                   | 83.4   | 83.4     | 83.4              | 83.4     | 83.4                                 |
| Heats m <sup>2</sup>           | 30 - 120   | 30 - 120 | 30 - 120          | 30 - 120 | 30 - 120                             |
| Weight in kg                   | 116  | 118      | 154 / 139         | 173      | 102 / 110                            |
| Colour: Black (Item number)    | S01-600  | S01-602  | S01-618 / S01-626 | S01-620  | S01-606 / S01-608                    |
| Colour: Grey (Item number)     | S01-601  | S01-603  | S01-619           | S01-621  | ○                                    |
| Air connection kit available   | ●  | ●        | ●                 | ●        | ●                                    |
| Convection stove               | ●  | ●        | ●                 | ●        | ●                                    |
| Airwash                        | ●  | ●        | ●                 | ●        | ●                                    |
| Ash drawer                     | ●  | ●        | ●                 | ●        | ●                                    |
| Control handle                 | 1  | 1        | 1                 | 1        | 1                                    |
| Connection top/rear            | ●  | ●        | ●                 | ●        | ●                                    |
| Warranty, up to years          | 5  | 5        | 5                 | 5        | 5                                    |
| Flue pipe connection diameter  | 150  | 150      | 150               | 150      | 150                                  |
| Combustion chamber width/depth | 340/271  | 340/271  | 340/271           | 340/271  | 340/271                              |
| Accessories                    | Lower door, fireplace set, log grate, soapstone top, Heat storage.                   |          |                   |          |                                      |
| Approvals                      | CE / EN13240, HETAS, DEFRA (Smokeless zones), 15A, VKF, SINTEF, DINplus, BimSchV 1+2 |          |                   |          |                                      |

## TT21 range

|                                | TT21R  | TT21RS   |
|--------------------------------|--|----------|
| Energy efficiency class        |  |          |
| Nominal effect in kW           | 5  | 5        |
| Operating range in kW          | 3 - 7  | 3 - 7    |
| Efficiency %                   | 83.4   | 83.4     |
| Heats m <sup>2</sup>           | 30 - 120   | 30 - 120 |
| Weight in kg                   | 121  | 176      |
| Colour: Black (Item number)    | S01-630  | S01-632  |
| Colour: Grey (Item number)     | ○  | S01-633  |
| Air connection kit available   | ●  | ●        |
| Convection stove               | ●  | ●        |
| Airwash                        | ●  | ●        |
| Ash drawer                     | ●  | ●        |
| Control handle                 | 1  | 1        |
| Connection top/rear            | ●  | ●        |
| Warranty, up to years          | 5  | 5        |
| Flue pipe connection diameter  | 150  | 150      |
| Combustion chamber width/depth | 340/271  | 340/271  |
| Accessories                    | Wood compartment door, fireplace set, log grate, Heat storage.                       |          |
| Approvals                      | CE / EN13240, HETAS, DEFRA (Smokeless zones), 15A, VKF, SINTEF, DINplus, BimSchV 1+2 |          |

● Possible

○ Not possible

TernaTech is not responsible for errors and omissions.

| TT22   | TT22S          | TT22R/<br>TT22RP  | TT22H          | TT22HS         | TT22HST        | TT22 range                     |
|--|----------------|-------------------|----------------|----------------|----------------|--------------------------------|
| A <sup>+</sup>   | A <sup>+</sup> | A <sup>+</sup>    | A <sup>+</sup> | A <sup>+</sup> | A <sup>+</sup> | Energy efficiency class        |
| 7,5  | 7,5            | 7,5               | 7,5            | 7,5            | 7,5            | Nominal effect in kW           |
| 5-10   | 5-10           | 5-10              | 5-10           | 5-10           | 5-10           | Operating range in kW          |
| 82   | 82             | 82                | 82             | 82             | 82             | Efficiency %                   |
| 40 - 160   | 40 - 160       | 40 - 160          | 40 - 160       | 40 - 160       | 40 - 160       | Heats m <sup>2</sup>           |
| 168  | 202            | 168 / 205         | 194            | 251            | 322            | Weight in kg                   |
| S01-640  | S01-642        | S01-648 / S01-654 | S01-644        | S01-646        | S01-650        | Colour: Black (Item number)    |
| S01-641  | S01-643        | ○                 | S01-645        | S01-647        | S01-651        | Colour: Grey (Item number)     |
| ●  | ●              | ●                 | ●              | ●              | ●              | Air connection kit available   |
| ●  | ●              | ●                 | ●              | ●              | ●              | Convection stove               |
| ●  | ●              | ●                 | ●              | ●              | ●              | Airwash                        |
| ●  | ●              | ●                 | ●              | ●              | ●              | Ash drawer                     |
| 1  | 1              | 1                 | 1              | 1              | 1              | Control handle                 |
| ●  | ●              | ●                 | ●              | ●              | ●              | Connection top/rear            |
| 5  | 5              | 5                 | 5              | 5              | 5              | Warranty, up to years          |
| 150  | 150            | 150               | 150            | 150            | 150            | Flue pipe connection diameter  |
| 570/300  | 570/300        | 570/300           | 570/300        | 570/300        | 570/300        | Combustion chamber width/depth |
| TT22S + TT22HS: Cookingplate kit.  |                |                   |                |                |                | Accessories                    |
| CE / EN13240, HETAS, DEFRA (Smokeless zones), 15A, VKF, SINTEF, DINplus, BimSchV 1+2 |                |                   |                |                |                | Approvals                      |

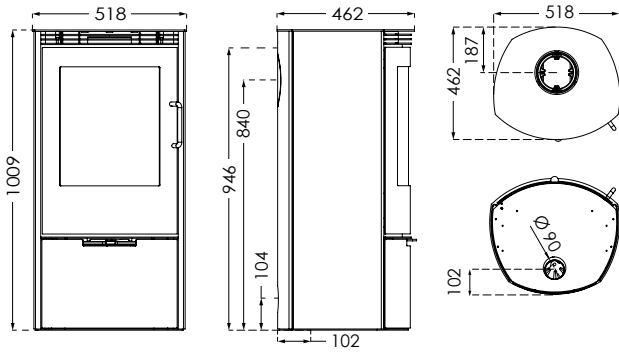
| TT30                                 | TT30G    | TT30S    | TT30GS   | TT30 range                     |
|--------------------------------------|----------|----------|----------|--------------------------------|
| A                                    | A        | A        | A        | Energy efficiency class        |
| 5                                    | 5        | 5        | 5        | Nominal effect in kW           |
| 3 - 7                                | 3 - 7    | 3 - 7    | 3 - 7    | Operating range in kW          |
| 81                                   | 81       | 81       | 81       | Efficiency %                   |
| 30 - 120                             | 30 - 120 | 30 - 120 | 30 - 120 | Heats m <sup>2</sup>           |
| 128                                  | 126      | 155      | 153      | Weight in kg                   |
| S01-730                              | S01-732  | S01-734  | S01-736  | Colour: Black (Item number)    |
| ○                                    | ○        | ○        | ○        | Colour: Grey (Item number)     |
| ●                                    | ●        | ●        | ●        | Air connection kit available   |
| ●                                    | ●        | ●        | ●        | Convection stove               |
| ●                                    | ●        | ●        | ●        | Airwash                        |
| ●                                    | ●        | ●        | ●        | Ash drawer                     |
| 1                                    | 1        | 1        | 1        | Control handle                 |
| ●                                    | ●        | ●        | ●        | Connection top/rear            |
| 5                                    | 5        | 5        | 5        | Warranty, up to years          |
| 150                                  | 150      | 150      | 150      | Flue pipe connection diameter  |
| 320/236                              | 320/236  | 320/236  | 320/236  | Combustion chamber width/depth |
| Set of fire irons and soapstone top. |          |          |          | Accessories                    |
| CE/EN13240                           |          |          |          | Approvals                      |

| TT60   | TT60S          | TT60 range                     |
|--|----------------|--------------------------------|
| A <sup>+</sup>                                 | A <sup>+</sup> | Energy efficiency class        |
| 6  | 6              | Nominal effect in kW           |
| 4 - 8  | 4 - 8          | Operating range in kW          |
| 83   | 83             | Efficiency %                   |
| 30 - 120                                       | 30 - 120       | Heats m <sup>2</sup>           |
| 143  | 178            | Weight in kg                   |
| S01-670  | S01-672        | Colour: Black (Item number)    |
| ○  | ○              | Colour: Grey (Item number)     |
| ●  | ●              | Air connection kit available   |
| ●  | ●              | Convection stove               |
| ●  | ●              | Airwash                        |
| ●  | ●              | Ash drawer                     |
| 2  | 2              | Control handle                 |
| ●/●  | ●/●            | Connection top/rear            |
| 5  | 5              | Warranty, up to years          |
| 150  | 150            | Flue pipe connection diameter  |
| 380 / 260                                      | 380 / 260      | Combustion chamber width/depth |
| Unpainted oak handle.                          |                | Accessories                    |
| CE / EN13240, HETAS, 15A, VKF, SINTEF, DINplus |                | Approvals                      |

# TT10 range · Technical specifications

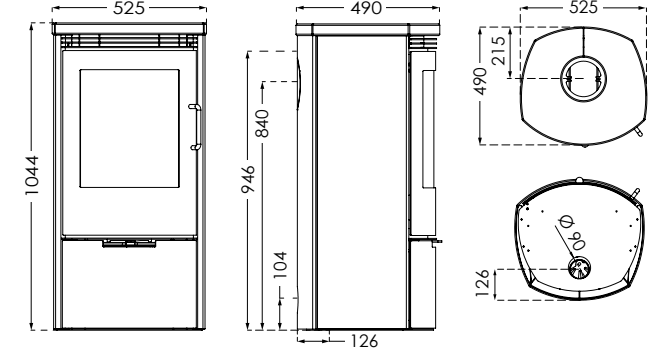
NB! All height dimensions are without adjusting feet. Measurements are in mm.

## TT10



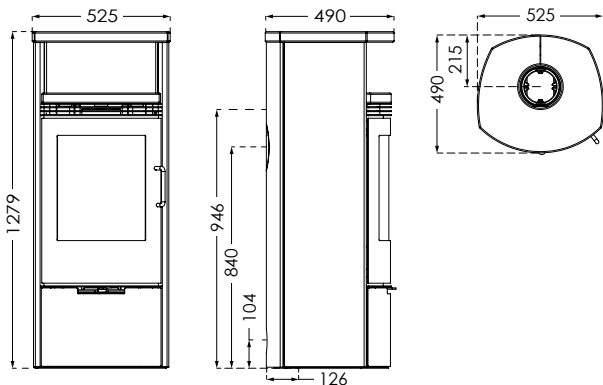
Weight in kg 116

## TT10S



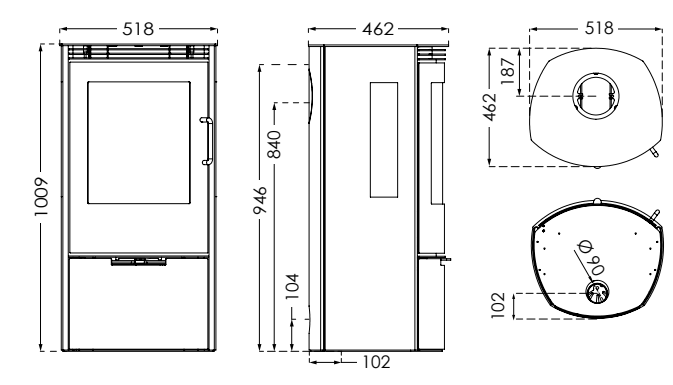
Weight in kg 190

## TT10HS



Weight in kg 220

## TT10G



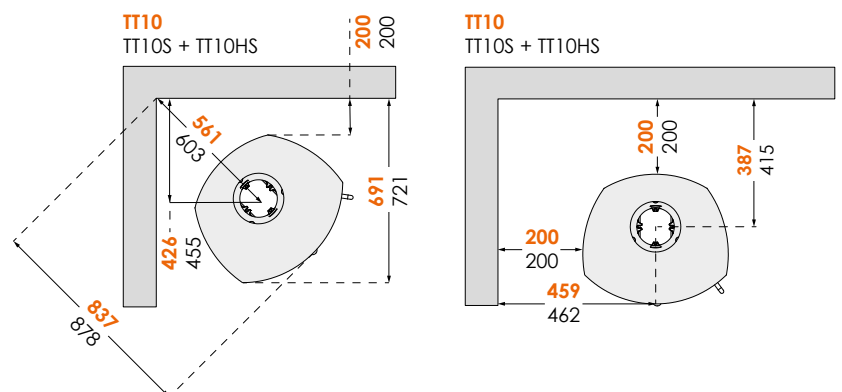
Weight in kg 116

## Non-insulated and half-insulated flue

TT10 · TT10S · TT10HS

In order to avoid discolouration of painted and treated surfaces, TermaTech recommends the same distance from flammable materials as for non-flammable materials. This distance increases the convection itself around the stove and also eases cleaning.

|                       |          |
|-----------------------|----------|
| Nominal effect in kW  | 6        |
| Operating range in kW | 3 - 8    |
| Efficiency rate %     | 82       |
| Heats sqm             | 30 - 140 |



# TT10 range + TT1Z · Technical specifications

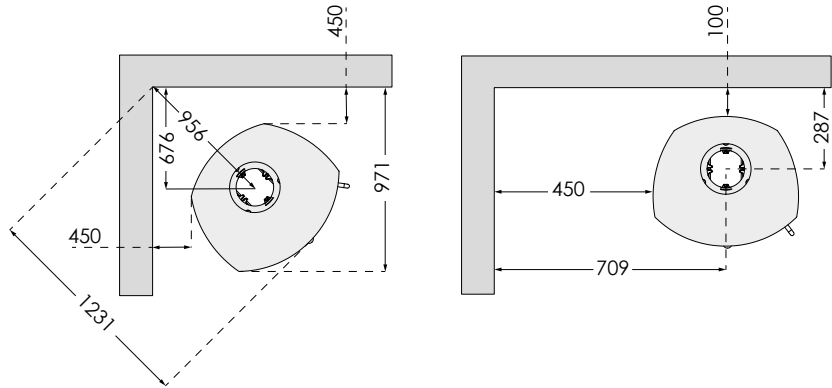
NB! All height dimensions are without adjusting feet. Measurements are in mm.

## Non-insulated and half-insulated flue

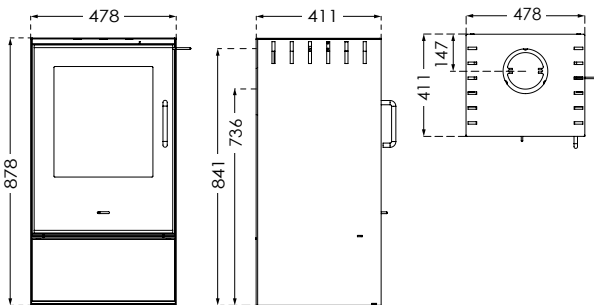
TT10G

In order to avoid discolouration of painted and treated surfaces, TermaTech recommends the same distance from flammable materials as for non-flammable materials. This distance increases the convection itself around the stove and also eases cleaning.

|                       |          |
|-----------------------|----------|
| Nominal effect in kW  | 6        |
| Operating range in kW | 3 - 8    |
| Efficiency rate %     | 82       |
| Heats sqm             | 30 - 140 |



## TT1Z



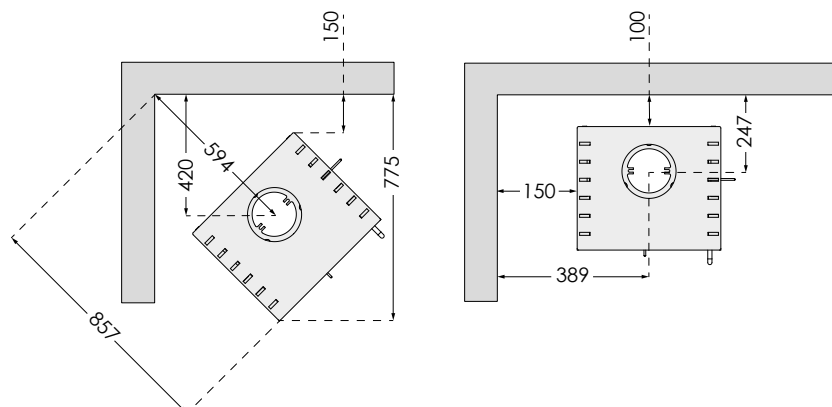
Weight in kg 107

## Non-insulated and half-insulated flue

TT1Z

In order to avoid discolouration of painted and treated surfaces, TermaTech recommends the same distance from flammable materials as for non-flammable materials. This distance increases the convection itself around the stove and also eases cleaning.

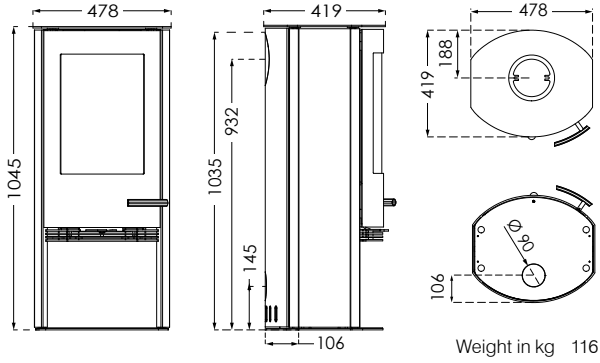
|                       |          |
|-----------------------|----------|
| Nominal effect in kW  | 6        |
| Operating range in kW | 4 - 8    |
| Efficiency rate %     | 78       |
| Heats sqm             | 30 - 140 |



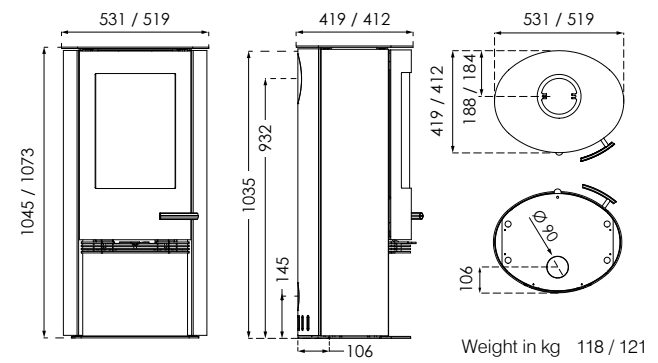
# TT20 / TT21 range · Technical specifications

NB! All height dimensions are without adjusting feet. Measurements are in mm.

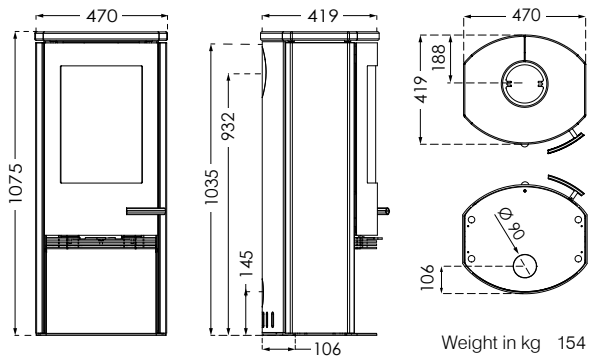
## TT20



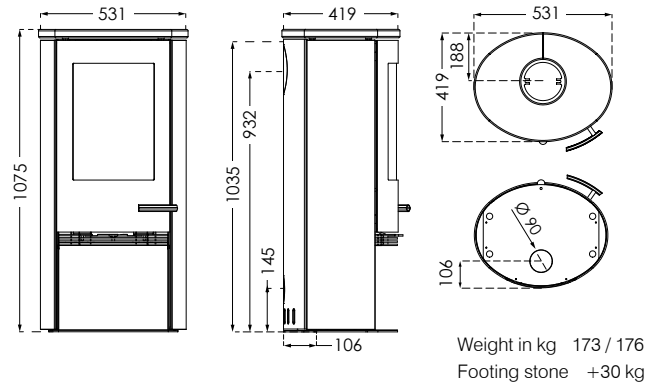
## TT20R / TT21R



## TT20S

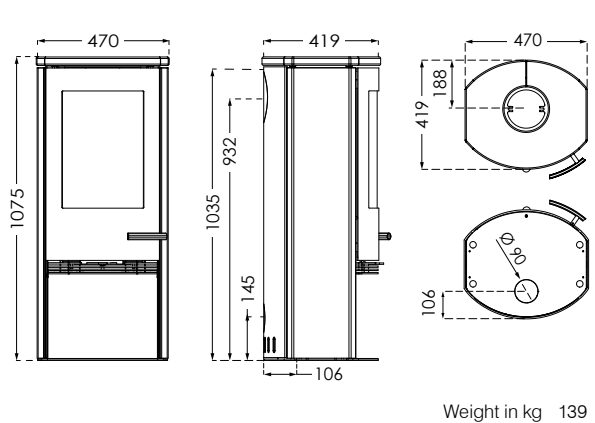
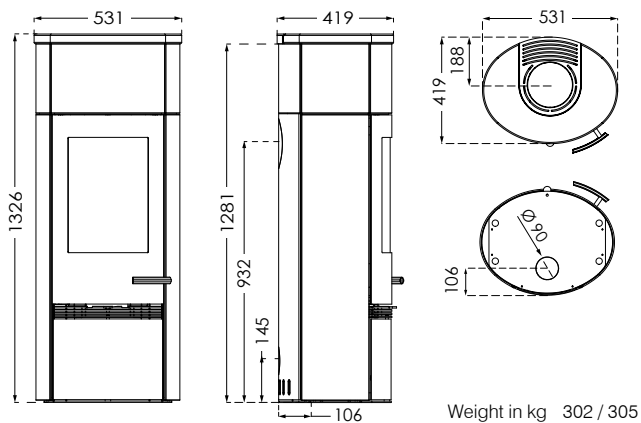


## TT20RS / TT21RS



## TT20RS / TT21RS + Heat storage module + Footing stone

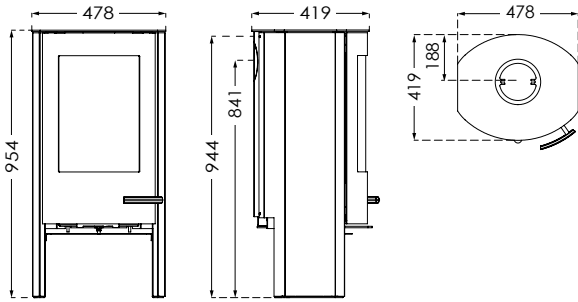
## TT20SA



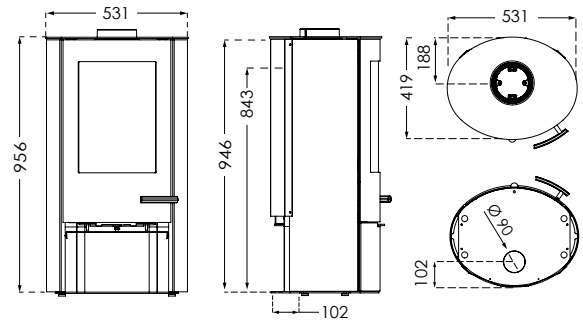


## TT20Streamline

## TT20Streamline R



Weight in kg 102



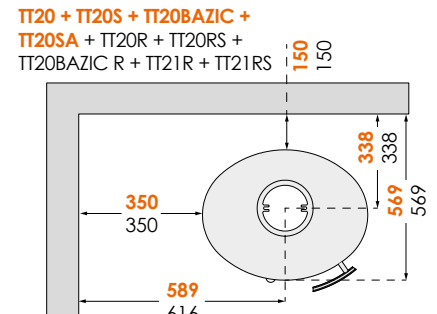
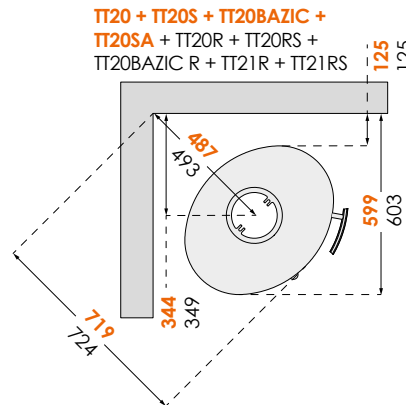
Weight in kg 110

## Non-insulated flue

TT20 / TT21 range

In order to avoid discolouration of painted and treated surfaces, TermaTech recommends the same distance from flammable materials as for non-flammable materials. This distance increases the convection itself around the stove and also eases cleaning.

|                       |          |
|-----------------------|----------|
| Nominal effect in kW  | 5        |
| Operating range in kW | 3 - 7    |
| Efficiency rate %     | 83.4     |
| Heats sqm             | 30 - 120 |

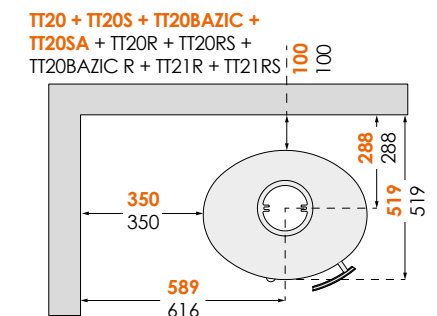
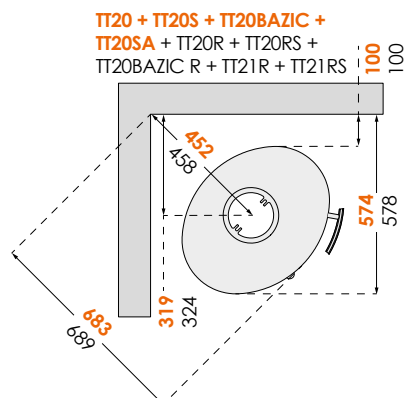


## Half-insulated flue

TT20 / TT21 range

In order to avoid discolouration of painted and treated surfaces, TermaTech recommends the same distance from flammable materials as for non-flammable materials. This distance increases the convection itself around the stove and also eases cleaning.

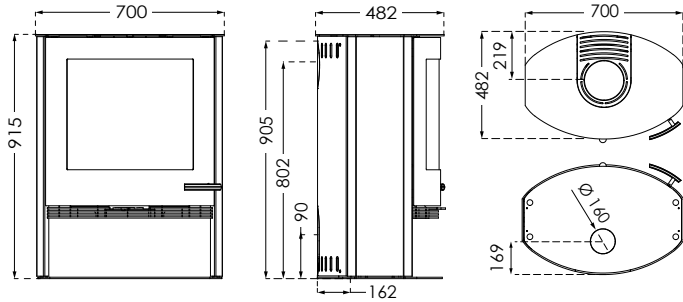
|                       |          |
|-----------------------|----------|
| Nominal effect in kW  | 5        |
| Operating range in kW | 3 - 7    |
| Efficiency rate %     | 83.4     |
| Heats sqm             | 30 - 120 |



# TT22 range · Technical specifications

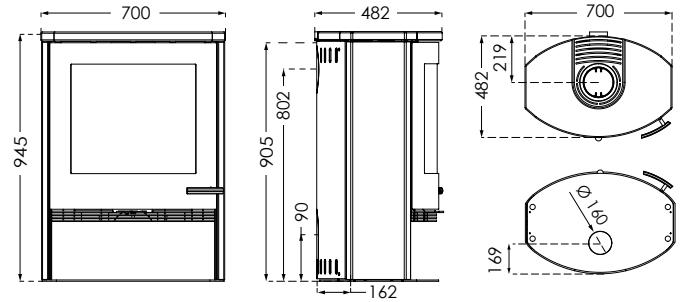
NB! All height dimensions are without adjusting feet. Measurements are in mm.

## TT22



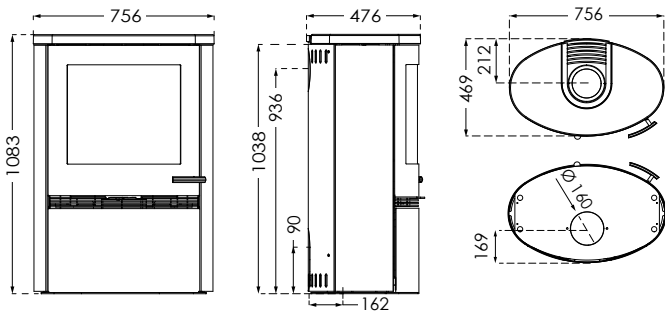
Weight in kg 168

## TT22S



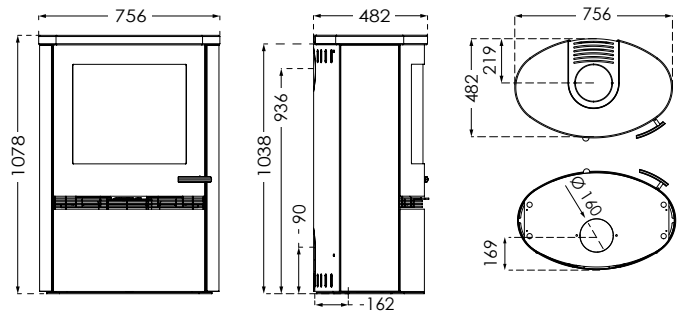
Weight in kg 202

## TT22H



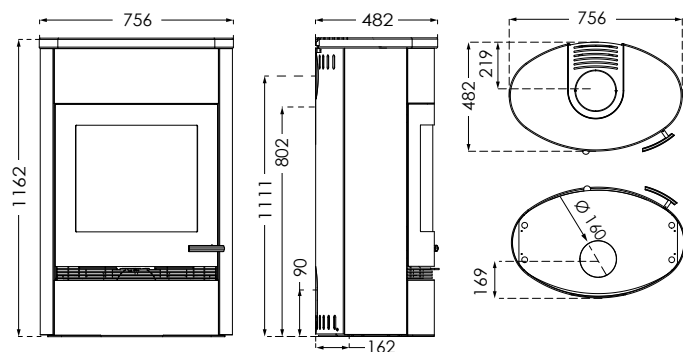
Weight in kg 194

## TT22HS



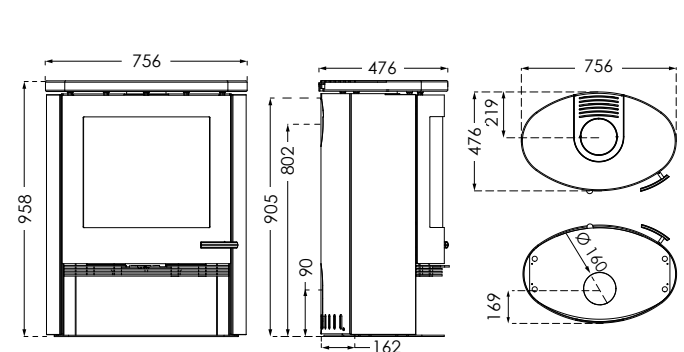
Weight in kg 251

## TT22HST



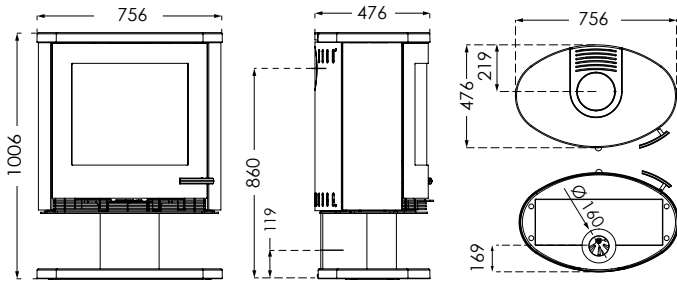
Weight in kg 322

## TT22R



Weight in kg 168

# TT22RP



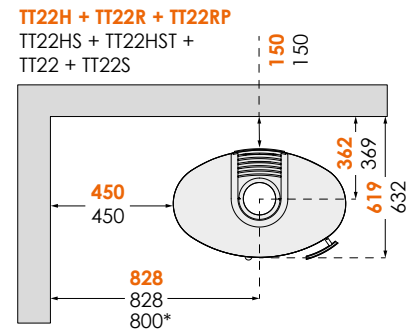
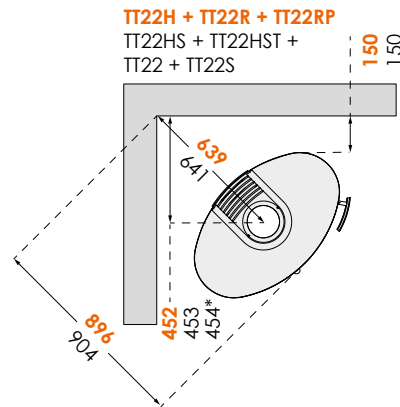
Weight in kg 205

## Non-insulated flue

TT22 range

In order to avoid discolouration of painted and treated surfaces, TermaTech recommends the same distance from flammable materials as for non-flammable materials. This distance increases the convection itself around the stove and also eases cleaning.

|                       |          |
|-----------------------|----------|
| Nominal effect in kW  | 7,5      |
| Operating range in kW | 5 - 10   |
| Efficiency rate %     | 82       |
| Heats sqm             | 40 - 160 |



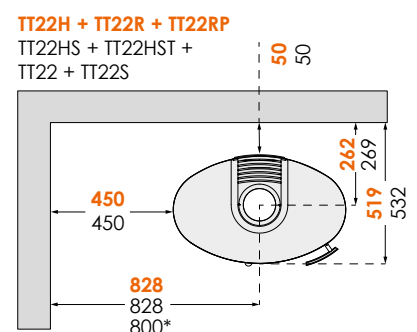
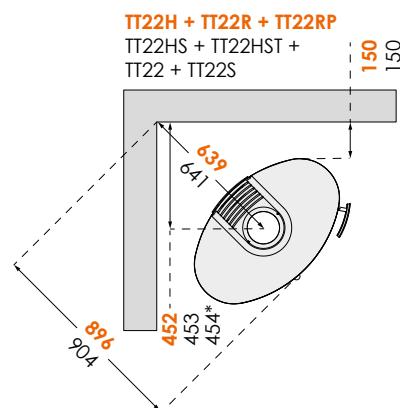
\*Applies to models: TT22 + TT22S

## Half-insulated flue

TT22 range

In order to avoid discolouration of painted and treated surfaces, TermaTech recommends the same distance from flammable materials as for non-flammable materials. This distance increases the convection itself around the stove and also eases cleaning.

|                       |          |
|-----------------------|----------|
| Nominal effect in kW  | 7,5      |
| Operating range in kW | 5 - 10   |
| Efficiency rate %     | 82       |
| Heats sqm             | 40 - 160 |

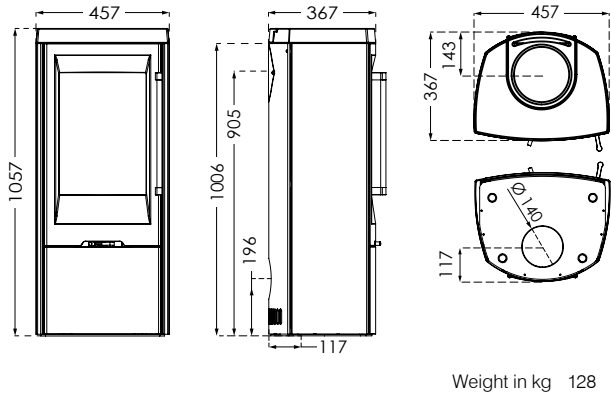


\*Applies to models: TT22 + TT22S

## TT30 range · Technical specifications

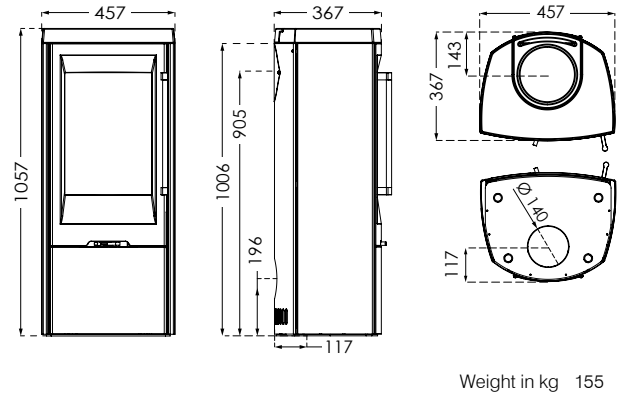
NB! All height dimensions are without adjusting feet. Measurements are in mm.

### TT30



Weight in kg 128

### TT30S



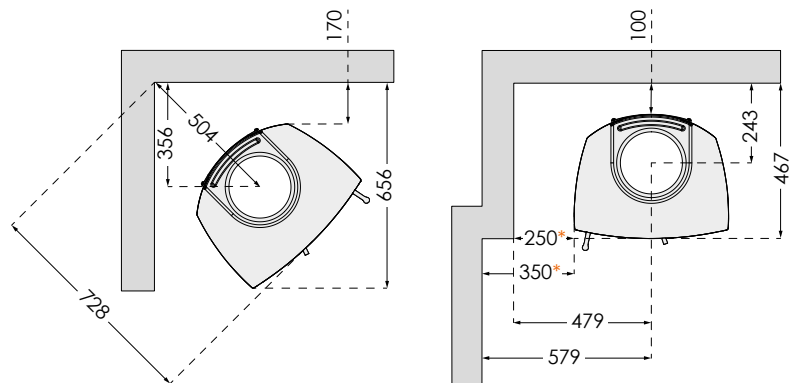
Weight in kg 155

## Non-insulated and half-insulated flue

TT30 · TT30S

In order to avoid discolouration of painted and treated surfaces, TermaTech recommends the same distance from flammable materials as for non-flammable materials. This distance increases the convection itself around the stove and also eases cleaning.

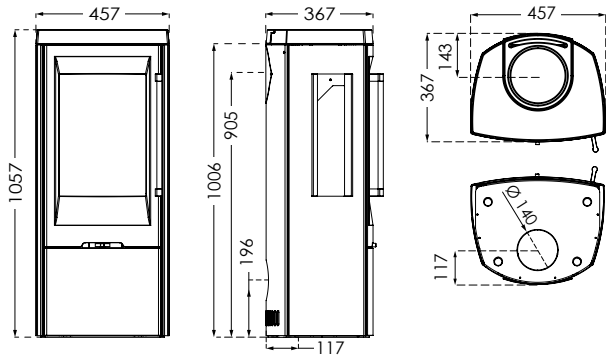
|                       |          |
|-----------------------|----------|
| Nominal effect in kW  | 5        |
| Operating range in kW | 3 - 7    |
| Efficiency rate %     | 81       |
| Heats sqm             | 30 - 120 |



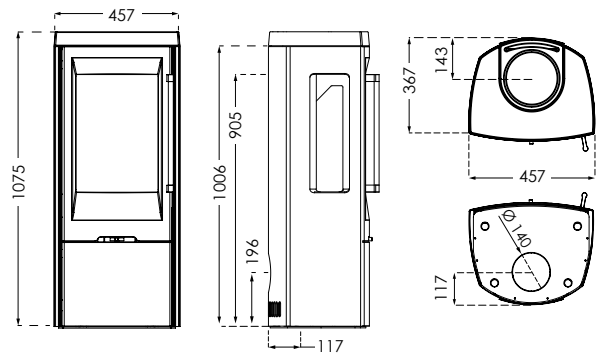
\* Distance to side wall min. 250mm up to the front of the stove, subsequently min. 350mm.

## TT30G

## TT30GS



Weight in kg 126



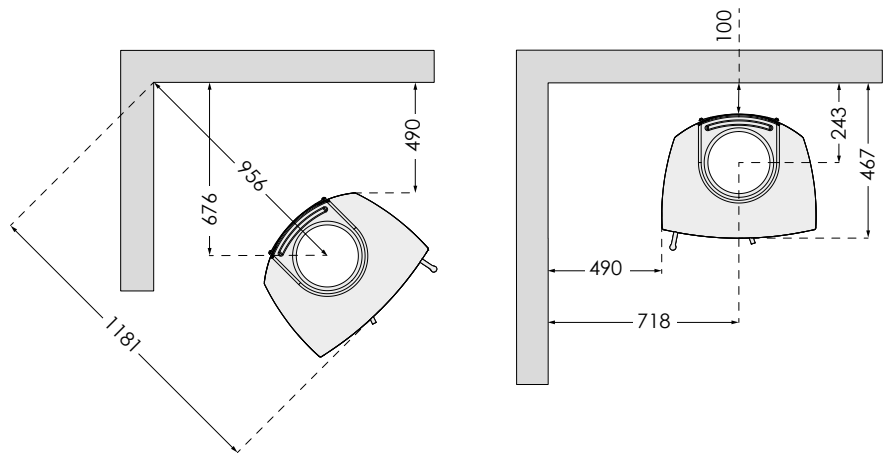
Weight in kg 153

## Non-insulated and half-insulated flue

TT30G · TT30GS

In order to avoid discolouration of painted and treated surfaces, TermaTech recommends the same distance from flammable materials as for non-flammable materials. This distance increases the convection itself around the stove and also eases cleaning.

|                       |          |
|-----------------------|----------|
| Nominal effect in kW  | 5        |
| Operating range in kW | 3 - 7    |
| Efficiency rate %     | 81       |
| Heats sqm             | 30 - 120 |

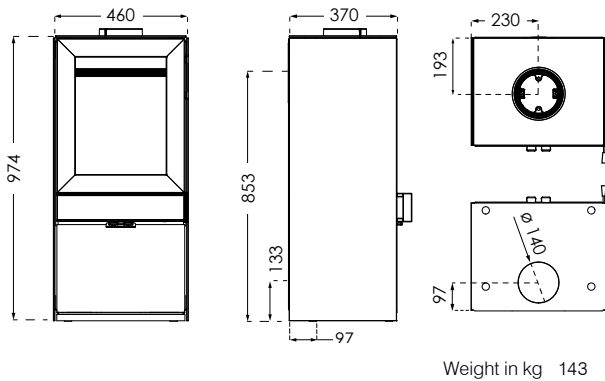


# TT60 range · Technical specifications

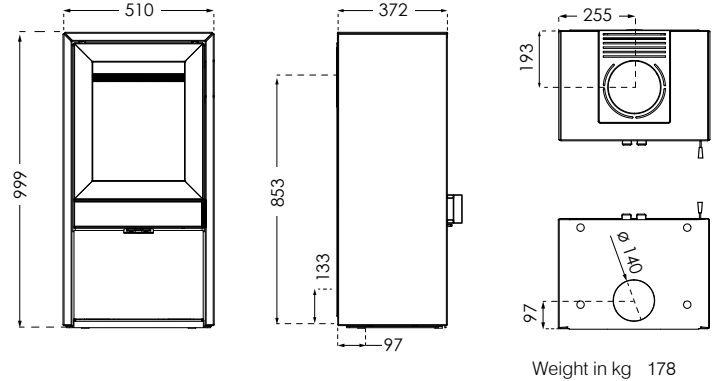
NB! All height dimensions are without adjusting feet. Measurements are in mm.

## TT60

## TT60S



Weight in kg 143



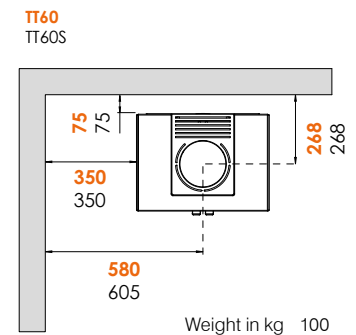
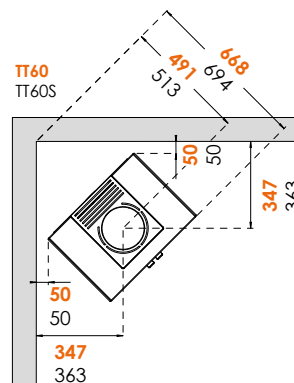
Weight in kg 178

## Non-insulated flue

TT60 · TT60S

In order to avoid discolouration of painted and treated surfaces, TermaTech recommends the same distance from flammable materials as for non-flammable materials. This distance increases the convection itself around the stove and also eases cleaning.

|                       |          |
|-----------------------|----------|
| Nominal effect in kW  | 6        |
| Operating range in kW | 4 - 8    |
| Efficiency rate %     | 83       |
| Heats sqm             | 30 - 120 |



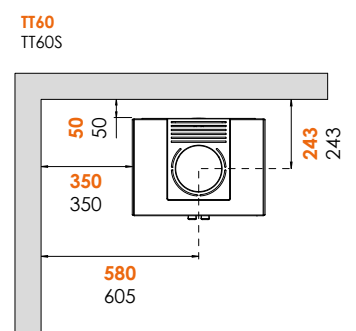
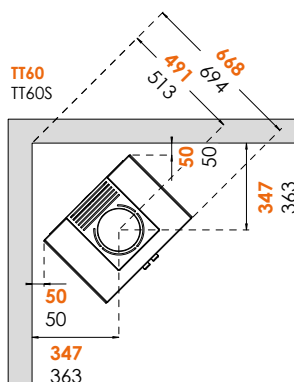
Weight in kg 100

## Half-insulated flue

TT60 · TT60S

In order to avoid discolouration of painted and treated surfaces, TermaTech recommends the same distance from flammable materials as for non-flammable materials. This distance increases the convection itself around the stove and also eases cleaning.

|                       |          |
|-----------------------|----------|
| Nominal effect in kW  | 6        |
| Operating range in kW | 4 - 8    |
| Efficiency rate %     | 83       |
| Heats sqm             | 30 - 120 |



## General information about the TT models

- 5 years warranty\*
- Are tested and approved by recognised European testing institutes
- Are effective and high build quality
- Are constructed with a view to easy and error-free operation
- Are constructed so that there is a minimum of maintenance and the wearing parts are easy to replace
- Are convection stoves, thus ensuring better heat distribution. Heats up between 30 and 160m<sup>2</sup>
- Are equipped with an efficient airwash that keeps the glass clean
- Are equipped with cast iron frames in the door and bottom of the combustion chamber
- Are equipped with stainless steel door handles
- Most stoves are available in metallic grey or metallic black
- Can be connected from the back or the top
- Can be purchased from your professional stove shop, which ensures you receive the correct advice, optimal guidance and proper installation

The qualities above assume that the user follows the firing guidelines and solely uses clean and dry firewood in the stove.

On TermaTech's website you can easily locate your closest dealer. Here you will find usage instructions, the statutory test certificate and all technical data on the stoves.

We wish you and your family many cosy and warm times in the company of your new TermaTech woodburning stove.

\*Please read our conditions for "5 years warranty" in our user and mounting manual.

## Member of:

DAPO



## Approvals and environment

TermaTech's woodburning stoves are approved after and meet the most stringent requirements in Europe. They are approved by, among others, Rhein Ruhr Feuerstätten Prüfstelle and The Danish Technological Institute who have completed the CE-approval (EN13240), the Austrian standard "15A" and the German standard "DIN+".

The stoves are also tested and approved by SINTEF, which is a Norwegian testing institute and VKF, which is a Swiss institute. In England, all of the stoves are tested and approved by HETAS. TT20 and TT22 also have DEFRA approval, a distinction reserved for only the cleanest burning stoves on the market. See the technical data for further details.



TEKNOLOGISK  
INSTITUT





[www.termatech.com](http://www.termatech.com)



**SPECFLUE**

*...designed to be better*

Distributed in the UK by Specflue Ltd.  
[www.termatech.co.uk](http://www.termatech.co.uk)

We are not responsible for changes and misprints. Layout & graphic production:  
GraphicHouse.dk, September 2017.