

DANISH HEATING IDEAS 2016 2017



■ IDENTITY	4
■ SCAN 66 NEW	6
■ SCAN 1010 NEW	10
■ SCAN 45	12
■ SCAN 65	14
■ SCAN 68	18
■ SCAN 83	26
■ SCAN 85	32
■ SCAN ANDERSEN	36
■ SCAN 1001 AND SCAN 1002	38
■ SCANDSA 4-5	40
■ SCANDSA 12	42
■ BEFORE BUYING A WOOD-BURNING STOVE	44
■ ENVIRONMENTAL CONSIDERATIONS	46
■ ACCESSORIES	47
■ TECHNICAL SUMMARY	48

Scan constantly works to improve its products as much as possible. We reserve the right to make technical changes and change colours and accessories without prior notice. Several of the stoves in this catalogue are illustrated with extra equipment.

DANISH HEATING IDEAS



WARMING IDEAS

Ever since the company was founded in Odense in 1978 we at Scan have focused on offering our customers the best wood-burning stoves on the market, paying particular attention to design, innovation and user-friendliness. For us it is not just about warmth, but about delivering a perfect flame, enclosed in a design-conscious piece of furniture to suit the majority of homes. The combination of Danish design, brave ideas and an eye for detail has turned Scan into a leading brand in wood-burning stoves.

INNOVATION AND NEW THINKING

For Scan heating is more than just a practical or aesthetic matter. We see our stoves as innovative pieces of furniture that suit a modern lifestyle. Through creativity, an eye for detail and the courage to try out new ideas we have pushed ahead and shown the way both in terms of user-friendliness and the environment. Scan was the first to introduce sliding doors, glass with a 90 degree angle and glass handles for inserts.

DANISH DESIGN

Denmark has a rich design tradition, which Scan is a part of. We exclusively use Danish designers to create our stoves, thus ensuring totality and the right expression. Consequently, you can always recognise Scan by the clean lines, which are typical of good Danish design.

We also have a tradition of setting new standards and our designers approach every challenge with the aim of creating something new. This has meant that Scan has constantly gained international recognition and we have won several design awards for our workmanship.

IT'S ALL ABOUT THE DETAIL

At Scan we are focused on the details and put our soul into even the smallest things. With our critical eye and constant search for perfection, we have created revolutionary forms and technical solutions for the benefit of our customers.

By integrating the handles in the design and ensuring easy operation, we have combined form and function. This is one of many examples of what we call a 'smooth finish'.



YOUR NEW FLAME

Enjoying the warmth from a perfect flame behind the stove's glass is the ultimate form of relaxation and enjoyment.

Our design process always focuses on creating extremely beautiful images of the flame and the best view.



Harrit & Sørensen





SCAN 66-5 NEW

EXCITING SHAPES

The good looking Scan 66-5 combines the stylish design of Scan 66 with a new type of base, which unites functionalism and aesthetics.

Boasting integrated storage for wood logs, Scan 66-5 as a whole has a sculptural and elegant expression.







SCAN 66

INNOVATIVE DETAILS

Celebrated Danish designers, Harrit and Sørensen have again delivered a playful design with innovative features. The organic shape creates a beautiful frame around the fire and the view to the flames is maximized through the use of a glass log retainer.

Hang it on the wall or choose from three different leg options.



SCAN 66-1



SCAN 66-2




SCAN 66-4



SCAN 66-5 NEW



- Choose from black or white paint, wall fitting or one of the three different leg options.
- Weight from 90 kg • Effect: 3-7 kW
- 78 % efficiency • Heats up to 260 m³
- Exempt for burning wood in DEFRA smoke controlled areas 



■ Scan 66 has a log retainer made out of clear glass to maximize the view to the fire.





SCAN 1010 NEW

BE CREATIVE - COMPOSE YOUR OWN FIREPLACE





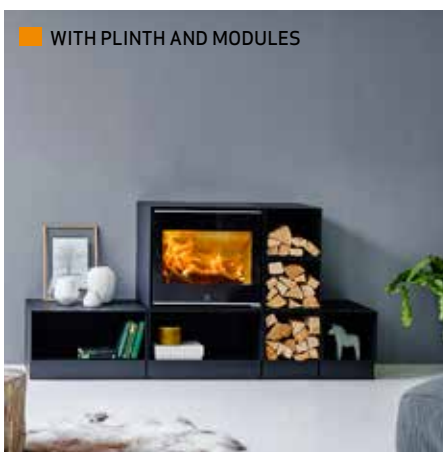



SCAN 1010

A MODULAR CONCEPT

Choose your setup based on a large number of opportunities; wall hanging or placed on the floor, with different sized boxes and log compartments, with or without a plinth. You can personalize your Scan 1010 to match your taste, needs and interior. This fireplace meets both aesthetic and practical needs.

You'll be charmed by the elegant simplicity and style of the front, underlined by the silk print on the glass and the smooth air controls. The tinted glass handle is comfortable to touch and with a simple push, the door locks automatically.



- Choose between wall or floor model with or without plinth
- Weight: from 135 kg • Effect: 7 kW • 82 % efficiency • Heats up to 340 m³
- Exempt for burning wood in DEFRA smoke controlled areas 







S SCAN 45

CLASSIC
AND SLIM

In smaller rooms the wood-burning stove should not dominate, but supplement the style and size. The Scan 45 has been designed with a slim expression, which discretely creates harmony in the home. Elegant details such as the stainless steel inset at the top of the door complete the elegant look.

■ SCAN 45 BLACK



■ SCAN 45 GREY



- Option to vary the design with a soap stone top plate for a rear or top flue outlet. The handle stays cool when the stove is in use, and the lid on the ash drawer makes emptying easy.
- Estimated output 3-7 kW • 82,5 % efficiency • Heats up to 260 m³







PERFECT PROPORTIONS

Clean lines and simple design give you a piece of furniture that will complement any existing decor, regardless of style.

Scan 65 is a medium-sized stove with large glass door, providing a perfect view of the flames. Sandstone or soapstone options are integrated in the stove to retain its pure expression. It is available with and without side glass.

■ SCAN 65-1



■ SCAN 65-2



■ SCAN 65-3 SOAPSTONE *



■ SCAN 65-4 SANDSTONE *



■ Sandstone is made of compacted sand, stones and minerals. It is coloured by these components and the stone parts can vary in shades of colour.

Aluminum handles and soap stone top are optional extras.

The Easylock system allows the door to close by itself without you having to turn a handle.

Weight: 123 - 180 kg • Effect 3-8 kW • 79-82 % Efficiency • Heats up to 300 m³ • Exempt for burning wood in DEFRA smoke controlled areas 

*Pictures may show added extras, not included in the price of the stove.





A WARM TREAT

Cosy heat combined with the aroma of freshly baked bread. This taller model of the Scan 65-series has a baking compartment integrated above the burn chamber. Which is perfect for preparing smaller dishes. The temperature can reach up to 300°C.

The baking compartment is enamelled and has a glass bottom plate that makes it easy to clean.

SCAN 65-5



SCAN 65-6



SCAN 65-7 **



SCAN 65-8 **



Weight: 162-258 kg • Effect 3-8 kW • 79 % Efficiency • Heats up to 300 m³

Scan 65-7 and 8 presents a beautifully proportioned soapstone column of a stove, with a great view to the flames. The soapstone accumulates heat when the fire is burning and slowly release it back into the room as comfortable, radiant heat when the fire is out.

For additional heat retention, Scans Heat Storage System* can be included (Scan 65-7 & 8 only).

*Read more about the advantages of Scans heat storage system and heat -accumulating stones on page 45.

**Pictures may show added extras, not included in the price of the stove.





S SCAN68

ELEGANT ELLIPTICAL SHAPE

The organic elliptical shape is a characteristic feature of the Danish design duo and the perfect proportions provide a unique view of the fire. The simple and aesthetic design has been born out of respect for the central role that the stove will play in your home.

ELLIPTICALLY SHAPED

The straight lines and combination of glass and aluminum represent the principal of design expression. The elliptical shape adds an expression into its surroundings making it a piece of heating art.

The large glass surfaces draw you to relax in front of the flames and take in the view of the fire.

The Scan 68 series is available with three different base options - or you can simply hang it on the wall.

SCAN 68-1



SCAN 68-15*



SCAN 68-5 WITH DOOR



SCAN 68-6



Choose from pedestal, open or closed base and wall fitting. Trims and handles in black or aluminum.

Weight: 98 - 190 kg • Effect 3-8 kW • 79% Efficiency • Heats up to 300 m³ • Exempt for burning wood in DEFRA smoke controlled areas 

*Pictures may show added extras, not included in the price of the stove.





*"Being designers, we love this shape.
It allows the stove to adapt easily into
its surroundings without any fuss".*

Thomas Hørd Nielsen

"We are extremely proud to have altered and improved this product, without compromising the unique design".

Lars Juhl, responsible for development of Scan 68



EVERY PIECE HAS A STORY

Scan 68 draws its design from the iconic Scan 58 series, the pinnacle of Danish Stove design, and one of the world's best selling wood stoves. With the new Scan 68-series we have reduced the emission 63 % and at the same time increased the performance of the burn chamber 4%-points to 79% efficiency.

■ SCAN 68-7



■ SCAN 68-10



■ SCAN 68-11



■ SCAN 68-13 HIGH TOP



■ SCAN 68-14
WITH LONG STEEL PANELS AND DOOR



■ SCAN 68-16 HIGH TOP*



■ With the high top model you can choose the Heat Storage System, which enables you to enjoy the warmth for up to 12 hours after the final log has been placed on the fire. Read more about the advantages of Scans heat storage system and heat -accumulating stones on page 45.

*Pictures may show added extras, not included in the price of the stove.







S SCAN 83

SIMPLE DESIGN AND BEAUTIFUL DETAILS

The simple design behind the Scan 83 makes your home the centre of attraction, giving you the space to create your own style around the natural gathering place – the play of the flames and the stove's steady warmth.

One of Denmark's strongest design teams, Harrit & Sørensen, is behind the Scan 83. The clean and simple design was born out of respect for both functionality and aesthetics in equal measure.

Every detail has been thought through. The curved glass door has a soft close function and gives a perfect view of the fire. The handle has been positioned so that it completes the simple design, while remaining cool at the same time. The Scan 83 can be supplied with a revolving base, so that you can enjoy the flames wherever you are in the room.



"An iconic stove in line with the Scan tradition"

Thomas Harrit Nielsen



Scan 83 is available in more colours. Choose between traditional black or grey paint available for the entire series or the more trendy colours glossy red, white or metallic brown for Scan 83-1, 83-2, 83-3 and 83-4.

SCAN 83-1



SCAN 83-2



SCAN 83-3 MAXI



SCAN 83-4 MAXI



A cylindrical wood-burning stove with a large glass door, providing a good view of the flames.

Choose from a number of variants with or without soap stone, with mouldings and handles in black or aluminium as well as heat-accumulating stones* for the Maxi variant.

The Scan 83 has an ash drawer with lock, cast iron bottom and grate plus adjustable feet. Also available with a revolving base.

- Estimated output: 3-7 kW
- 81 % efficiency
- Heats up to 260 m³
- Exempt for burning wood in DEFRA smoke controlled areas 

*Read more about the advantages of Scans heat storage system and heat -accumulating stones on page 45.

**Pictures may show added extras, not included in the price of the stove.

The integrated soapstone elements stores heat when the fire is burning. When the fire has gone out, this heat is slowly released back into the room.

SCAN 83-5 **



SCAN 83-6 **



SCAN HEAT STORAGE SYSTEM



The Heat Storage System is a combination of materials and technical design that ensures maximum heat output long after the fire has gone out.

SCAN 83-7 MAXI **



SCAN 83-8 MAXI **





SCAN 83 TILES

AN EXTENSION OF YOUR PERSONALITY

The best-selling Scan 83 now offers the possibility for adding ceramic tiles into its design. The tiles are available in four different colours and are hand crafted in Germany. To build your perfect stove you can easily switch to other colour combinations to suit your own interior decor.

See the range of colours, tiles and trims available for Scan 83-5 and 6.



SCAN 83-6
Glossy red with black tiles



SCAN 83-5
Black paint with grey tiles



SCAN 83-6
Glossy white with black tiles





SCAN 85

EFFECTIVE HEAT IN AN EXCLUSIVE DESIGN

With the Scan 85 the heat quickly spreads across a large area, while you enjoy the simple design and perfect view of the fire. With the high top model you can choose the Heat Storage System, which enables you to enjoy the warmth for up to 12 hours after the final log has been placed on the fire.





COLOURFUL INSPIRATION

Create either contrast or harmony in your home. The whole range of Scan 85 is available in classic grey in addition to matt black, and the Scan 85-1 and 85-2 has also added a bold red and metallic brown to their colour palette.

The Scan 85 family is also supplemented with Scan 85-7 and 8 with raised burn chamber that makes it easier to load wood and gives a beautiful view of the fire. Perfect for your dining room or kitchen.



reddot design award
winner 2011



■ Cylindrical smooth surface with full view of the fire. The handle is integrated in the stove and is activated by simply pressing it. Choose from decorative mouldings and handle in black or brushed aluminium as well as heat-accumulating stones* for the Maxi variant. The standard size is available in more colours; glossy red, black or white and metallic brown.

• Estimated output 3-10 kW • 78 % efficiency • Heats up to 380 m³

*Read more about the advantages of Scans heat storage system and heat -accumulating stones on page 45.



SCAN ANDERSEN 4-5

AUTHENTIC TOP QUALITY IN PURE CAST IRON

If you want the embracing warmth to come from a classic, cast iron wood-burning stove, there are a number of rustic, top quality options. With soap stone sides you can vary the look within a wide range of stoves that all generate a classic mood and steady warmth.

SCAN ANDERSEN 4-5 CONVECTION



SCAN ANDERSEN 4-5 SOAP STONE *




SCAN ANDERSEN 4-5 SHORT LEGS



SCAN ANDERSEN 4-5 Available as a black convection model, soap stone on the sides and top or with short legs.

A riddling grate in the combustion chamber allows the ash to drop into the ash drawer.

The chrome handle can be fixed or detachable for child safety.

- Estimated output 3-6 kW
- 77% efficiency
- Heats up to 220 m³
- Exempt for burning wood in DEFRA smoke controlled areas 

*Pictures may show added extras, not included in the price of the stove.

SCAN 1001/1002

DISCRETE AESTHETICS

The discrete and exclusive built-in models Scan 1001 and 1002 is available in classic black or modern white glass.

A cool glass handle on the door completes the pure expression and separates the model from it's competitors on the market. The insert distributes the heat optimally and gives you a wide screen view to the fire. Scan 1001/1002 takes logs up to 65 cm.

SCAN 1001 STEEL, BLACK PAINT



SCAN 1001 WHITE GLASS, BLACK TRIM




SCAN 1001 BLACK GLASS



SCAN 1002 STEEL, BLACK PAINT



Choose from front in black paint, white or black glass decor and trims in black or chrome.

- Weight: 107 / 124 kg • Effect 3-9 / 3-10 kW • 82 % Efficiency • Heats up to 340 / 380 m³
- Exempt for burning wood in DEFRA smoke controlled areas 





S SCANDSA 4-5

LIVING ART
ON THE WALL

Built-in fireplaces gives the wood-burning stove a different role than the traditional one. Before lighting the fire the expression is unobtrusive, when the fire is blazing, the flames create living art on the wall. This is a clear choice when renovating open fireplaces or building new ones.





■ SCANDSA 4-5 FLAT GLASS



■ **SCANDSA 4-5** Available in black or grey paint with trims in various standard sizes or custom-made.

A connection piece for fresh air inlet at the bottom is optional*.**

- Estimated output: 3-8 kW
- 77 / 78 % efficiency
- Heats up to 300 m³

*Not suitable for UK installations.

** Does not have closed combustion

S SCANDSA 12

DISCRETE AND WELL-
CONSIDERED DESIGN

A fireplace insert with glass on both sides enabling you to see right through. It can be operated from both sides, but one door can be locked, if you only wish to operate it from one side.

■ SCANDSA 12



- Estimated output 5-11 kW
- 80 % efficiency
- Heats up to 425 m³



BEFORE BUYING A WOOD-BURNING STOVE

For most of us, a wood-burning stove is a big investment that we want to last for many years. It is therefore important to check out the conditions in your home before deciding.

FLUE

If your home does not have a flue, ask the dealer about the possibility of getting a flue to suit your stove.

If you already have a flue, it is important to get it checked to make sure it is in a usable condition.



SAFETY

Our approvals are your guarantee that your wood-burning stove has been thoroughly tested and checked. All products are tested in terms of safety and function. We therefore automatically give a 5-year (excluding consumable items) right to claim. Selected authorised Scan dealers are available with further technical information regarding installation and service etc. See also www.scan.dk

APPROVAL

A wood-burning stove must be safe when in use, easy to operate and protect the environment.

It is therefore a good idea if the stove does not just meet the national standards and requirements, but surpasses them.

SIZE

It is important to get a stove that is proportioned for the area it has to heat.

CLEARANCE

Take note of the applicable regulations regarding clearances to combustible material and the correct floor covering.

The authorised Scan dealer will be happy to advise you on the regulations.

INFORMATION ON INSTALLATION

To avoid installing the stove incorrectly and to ensure correct use, it is important to follow the assembly and instructions manual carefully.

We recommend that the installation is performed by an authorised Scan fitter to ensure optimum function and safety of the installation.

Information on Scan dealers can be found at www.scan.dk.

As the house owner you are responsible for ensuring that installation and fitting are carried out in accordance with national and local building regulations as well as the information provided in the assembly and instructions manual.

If you want to do the fitting yourself, you should make sure you can do it safely and according to the applicable regulations.

As the house owner you must register the installation of a new fireplace with the local chimney sweep and/or building authorities (always respect the national rules in your country).



KEEPS HEATING FOR LONGER

Scan's unique Heat Storage System gives you the opportunity to have extra warmth for up to 12 hours after putting in the last log.

The Heat Storage System is a combination of materials and technical design that ensures maximum heat output long after the fire has gone out.

The Heat Storage System is compact and concealed inside the top of the stove. Here the heat-accumulating



material collects the heat produced in the combustion chamber. A valve in the top of the stove is standard on Scans heat accumulating products. Stoking with the valve open delivers heat faster. When the valve is closed, the heat is stored, and heat emission is extended by up to 12 hours.

QUALITY

All Scan stoves are characterised by their high quality and are produced from the best possible materials. We conduct a thorough goods inwards inspection of raw materials and final inspection of the product. Via a registration number, it is possible to trace the origin of the stove which makes ordering spare parts easier.

Unique details such as a cool handle, efficient air wash and simple operation are quality features - and make lighting and stoking much easier.

WOOD-BURNING STOVES MEET ENVIRONMENTAL CONSIDERATIONS

Burning wood is a sustainable and economic form of energy. If the wood-burning stove has been designed correctly, you save fuel. At Scan we strive constantly to increase the efficiency of the combustion and meet the most stringent of international requirements. Scan is therefore among the producers of wood-burning stoves that has achieved most approvals on the international stage.

A number of our products have also been awarded the official Nordic Swan ecolabel. The Swan ecolabel guarantees that the products are among the best and cleanest on the market, that we consider your health, and that the products are high quality.



A FOCUS ON ENVIRONMENTALLY-FRIENDLY HEATING

Scan's objective is to develop wood-burning stoves that burn more cleanly and more economically than all others.



FRESH AIR / EXTERNAL COMBUSTION AIR

There are two forms of air supply:

- Air that is fed into the room from outside
- External combustion air that is fed directly into the combustion chamber



Instead of opening a window and risking the cold and draughts, you can feed air directly into the room from outside via a fresh air branch pipe. Doing this replaces the air that has been used during combustion. The branch pipe can be fitted to the back of the stove or as a box under the combustion chamber. Most Scan models can be equipped with this form of fresh air supply after installation, too.

In well-insulated houses it can be a good idea to feed air directly into the combustion chamber from outside, in other words external combustion air. This is especially important in houses with mechanical ventilation or cooker hoods close to the place of installation. It is possible to feed external combustion air to most Scan models at the back of the stove or in the bottom.

Some models must be ordered from the factory prepared for external combustion air, whereas external combustion air with rear outlet can be retro-fitted on the vast majority of Scan stoves.

See also the technical data from page 48 and the manual at www.scan.dk.

UNIQUE COMBUSTION SYSTEM

The highly developed combustion system, Clean Burn, ensures that our wood-burning stoves are technological forerunners and set new standards for high efficiency and low CO₂ emissions and wood consumption. The through-flow of air also ensures that the glass remains optimally clean.

Clean Burn was developed to meet the strictest international requirements for clean burning and to protect both people and the environment.



Models in our range indicated with this logo are DEFRA exempt, this enables the appliance to burn wood in a UK smoke controlled area.



ACCESSORIES

When you choose Scan, you will have a stylish Danish design with functional and exclusive details. Find the ultimate finish for your Scan wood-burning stove among our wide range of accessories.



FLOOR PLATES

We have a large selection of floor plates. They are available in various materials, shapes and colours. There are also special shaped floor plates for almost all models (see technical information from pages 48).

The floor plate is not just a practical measure. It also completes the stove's design. Your dealer can give you more information on the various floor plate possibilities. They are typically available in hardened glass and steel, and in many sizes and designs.

Remember to check that the floor plate you choose complies with the building regulations.

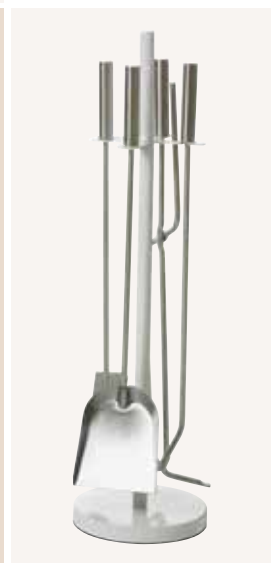


FLUE PIPES

We have a wide range of high-quality flue pipes. Our authorised dealers can help you find the product that best suits your needs.

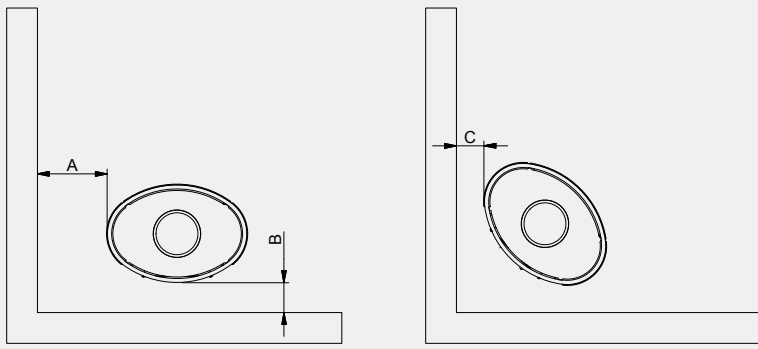


WOOD BASKETS AND COMPANION SETS



TECHNICAL DATA

Free Standing Stoves (according to EN 13240):	Scan 45	Scan 65-1 Scan 65-3	Scan 65-2 Scan 65-4	Scan 65-5	Scan 65-6	Scan 65-7
EN nominal performance (kW)	5	6	6	6	6	6
Efficiency (%)	82,5	79	79	79	79	79
Emission (% CO at 13% O ₂)	0,10	0,08	0,1	0,08	0,1	0,08
Distance to combustible materials uninsulated start section, sides/rear/corner (mm) (A/B/C). For revolving stoves, see the manual	200/150/150	350/150/100	500/150/250	350/150/100	500/150/250	350/150/100
Other Properties:						
Est. operating range (kW)	3-7	3-8	3-8	3-8	3-8	3-8
Room size approx. (m ³)	50-260	50-300	50-300	50-300	50-300	50-300
Max. log length (cm)	25	33	33	33	33	33
Weight (kg)	90	123/180	123/168	162	162	258
Dimensions HxWxD (mm) *	969x414x412	1131x490x380	1131x490x380	1433x490x380	1433x490x380	1448x490x380
Height to the middle of flue outlet rear (mm):	831	1011	1011	-	-	-
Height to the beginning of flue pipe at top outlet (mm):	932	1110	1110	1411	1411	1411
Fire box opening HxB (mm)	400x277	326x364	326x364	326x364	326x364	326x364
Flue outlet (mm)	Ø 150	Ø 150	Ø 150	Ø 150	Ø 150	Ø 150
Clean Burn	•	•	•	•	•	•
Approvals:						
EN 13240	•	•	•	•	•	•
NS 3058	•	•	•	•	•	•
DEFRA	-	•	•	•	•	•
Stove colour/lateral covering/side windows:						
Black	□	□	□	•	•	□
Grey	□	□	□	-	-	□
Soap stone	-	□	□	-	-	•
Sand stone	-	□	□	-	-	-
Glossy white (GWH)	-	-	-	-	-	-
Side windows	-	-	•	-	•	-
Extra accessories:						
Top plate soap stone	▲	▲	▲	▲	▲	•
Top plate sand stone	-	▲	▲	▲	▲	-
High top element	-	-	-	-	-	•
Heat accumulating stones	-	-	-	-	-	▲
Shaped floor plate glass	▲	▲	▲	▲	▲	▲
Shaped floor plate steel	▲	▲	▲	▲	▲	▲
Option of closed combustion system*)	▲	•	•	•	•	•



Measurement drawing:
 The most standard clearances to combustible material are shown in the table, in which the measurements are referred to as A, B and C.
 See www.scan.dk for further information.

- = standard
 - = option *)
 - ▲ = extras
- *) see further details in the manual on scan.dk
 **) placed vertically

Some options can be at a supplementary price
 We refer to the manuals for distances to combustible materials

	Scan 65-8	Scan 66-1	Scan 66-2 Scan 66-4	Scan 66-5	Scan 68-1/2 Scan 68-7/8 Wand	Scan 68-3/4/5/6
	6	5	5	5	5	5
	79	78	78	78	79	80
	0,1	0,03	0,03	0,03	0,04	0,04
	500/150/250	sides 300	300/150/150	300/150/150	400	450/100/100
	3-8	3-8	3-8	3-8	3-8	3-8
	50-300	50-260	50-260	50-260	50-300	50-300
	33	33	33	33	33	33
	246	90	100	120	98	105
	1448x490x380	630x481x337	946,5x481x337	943 x1037x337	794x500x391	1272/1222x 500x350
		From top 148,5	799	796	681	1160/1110
	1411	-	885	881	776	1255/1205
	326x364	239x340	239x340	239x340	310X303	310X303
	Ø 150	Ø 150	Ø 150	Ø 150	Ø 150	Ø 150
	●	●	●	●	●	●
	●	●	●	●	●	●
	●	●	●	●	●	●
	●	●	●	●	●	●
	□	□	□	□	●	●
	□	-	-	-	-	-
	●	-	-	-	-	-
	-	-	-	-	-	-
	-	□	□	□	-	-
	●	-	-	-	(68-7/8) ●	-
	●	-	-	-	▲	▲
	-	-	-	-	-	-
	●	-	-	-	-	-
	▲	-	-	-	-	-
	▲	-	(Scan 66-2) ▲	-	▲	▲
	▲	-	(Scan 66-2) ▲	-	▲	▲
	●	●	●	●	●	●

Free Standing Stoves (according to EN 13240):	Scan 68-9/10/11/12	Scan 68-13 Scan 68-14	Scan 68-13 Scan 68-14 High Top	Scan 68-15 Scan 68-16	Scan 68-15 Scan 68-16 High Top	Scan 83-1/2 Scan 83-5/6
EN nominal performance (kW)	5	5	5	5	5	5
Efficiency (%)	79	79	79	79	79	81
Emission (% CO at 13% O ₂)	0,04	0,04	0,04	0,04	0,04	0,07
Distance to combustible materials uninsulated start section, sides/rear/corner (mm) (A/B/C). For revolving stoves, see the manual	500x150x350	400x150x100		400x150x100		400/100/100
Other Properties:						
Est. operating range (kW)	3-8	3-8	3-8	3-8	3-8	3-7
Room size approx. (m ³)	50-300	50-300	50-300	50-300	50-300	50-260
Max. log length (cm)	33	33	33	33	33	35**)
Weight (kg)	105	110	130	190	235	117-186
Dimensions HxWxD (mm) *)	1272/1222x 500x350	1222x500x350	1650x500x366	1222x500x350	1685x586x368	1200x460x460
Height to the middle of flue outlet rear (mm):	1160/1110	1110	1110	1110	1110	1064
Height to the beginning of flue pipe at top outlet (mm):	1255/1205	1205	1205	1205	1205	1162
Fire box opening HxB (mm)	310X303	310X303	310X303	310X303	310X303	388x353
Flue outlet (mm)	Ø 150	Ø 150	Ø 150	Ø 150	Ø 150	Ø 150
Clean Burn	●	●	●	●	●	●
Approvals:						
EN 13240	●	●	●	●	●	●
NS 3058	●	●	●	●	●	●
DEFRA	●	●	●	●	●	●
Stove colour/lateral covering/side windows:						
Black	●	●	●	●	●	□
Grey	-	-	-	-	-	□
Soap stone	-	-	-	●	●	(Scan 83-5/6) □
Sand stone	-	-	-	-	-	
Tiles	-	-	-	-	-	(Scan 83-5/6) □
Glossy white (GWH)	-	-	-	-	-	(Scan 83-1/2) □
Metallic brown (MBR)	-	-	-	-	-	(Scan 83-1/2) □
Glossy red (GLR)	-	-	-	-	-	(Scan 83-1/2) □
Side windows	●	-	-	-	-	-
Extra accessories:						
Top plate soap stone	▲	▲	▲	●	●	▲
Top plate sand stone	-	-	-	-	-	
Short legs	-	-	-	-	-	-
High top element	-	▲	●	▲	●	-
Heat accumulating stones	-	▲	▲	▲	▲	-
Shaped floor plate glass	▲	▲	▲	▲	▲	▲
Shaped floor plate steel	▲	▲	▲	▲	▲	▲
Option of closed combustion system *)	●	●	●	●	●	●

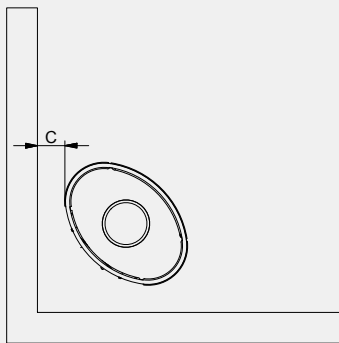
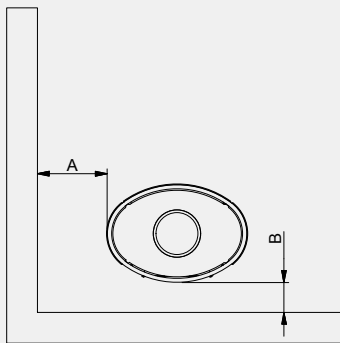
● = standard
□ = option *)
▲ = extras

*) see further details in the manual on scan.dk

Some options can be at a supplementary price

We refer to the manuals for distances to combustible materials

	Scan 83-3/4 Scan 83-7/8	Scan 85-1 Scan 85-2	Scan 85-3 Scan 85-4	Scan 85-5 Scan 85-6	Scan 85-7 Scan 85-8	Scan Andersen 4-5 Convection	Scan Andersen 4-5 Soap Stone
	5	8	8	8	8	4,5	4,5
	81	78	78	78	78	77	77
	0,07	0,06	0,06	0,06	0,06	0,09	0,09
	400/100/100	600/100/100	600/100/100	600/100/100	600/100/100	300/300/300	300/300/300
	3-7	3-10	3-10	3-10	3-10	3-6	3-6
	50-260	75-380	75-380	75-380	75-380	50-220	50-220
	35 **)	50 **)	50 **)	50 **)	50 **)	30	30
	125-212	210	229-319	220-310	220	92	164
	1410x460x460	1464x520x520	1864x520x520	1664x520x520	1664x520x520	758x474x453	821x532x453
	1064	1347	1547	1347	1547	651	651
	1162	1442	1642	1442	1642	-	-
	388x353	447x327	447x327	447x327	447x327	200x305	200x305
	Ø 150	Ø 150	Ø 150	Ø 150	Ø 150	Ø 130	Ø 130
	•	•	•	•	•	•	•
	•	•	•	•	•	•	•
	•	•	•	•	•	•	•
	•	-	-	-	-	•	•
	□	□	□	□	□	•	•
	□	□	□	□	□	-	-
	(Scan 83-7/8) •	-	-	-	-	-	•
	-	-	-	-	-	-	-
	-	-	-	-	-	-	-
	(Scan 83-3/4) □	□	□	□	□	-	-
	(Scan 83-3/4) □	□	□	□	□	-	-
	(Scan 83-3/4) □	□	□	□	□	-	-
	-	-	-	-	-	-	-
	▲	-	-	-	-	-	▲
	-	-	-	-	-	▲	-
	•	-	•	•	-	-	-
	▲	-	▲	▲	-	-	-
	▲	▲	▲	▲	▲	-	-
	▲	▲	▲	▲	▲	-	-
	•	•	•	•	•	-	-



Measurement drawing:

The most standard clearances to combustible material are shown in the table, in which the measurements are referred to as A, B and C.

See www.scan.dk for further information.

Freestanding stoves (according to EN 13240)	SCAN 1010 wall	SCAN 1010 with module	SCAN 1010 with module and plinth
EN nominal performance (kW)	7	7	7
Efficiency (%)	82	82	82
Emission (% CO at 13% O ₂)	0,07	0,07	0,07
Distance to combustible materials uninsulated start section, sides/rear/corner (mm) (A/B/C)		400/150/50	400/150/50
Other Properties:			
Est. operating range (kW)	3-9	3-9	3-9
Room size approx. (m ³)	75-340	75-340	75-340
Max. log length (cm)	50	50	50
Weight (kg)	135	167	174,5
Dimensions HxWxD (mm)	572 x 649 x 479	856 649 x 479	965 649 x 479
Height to the middle of flue outlet rear (mm):	472,5	764	873
Fire box opening HxB (mm)	334 x 521	334 x 521	334 x 521
Flue outlet ext./ int. flue pipe (mm)	Ø150	Ø150	Ø150
Clean Burn	●	●	●
Approvals:			
EN 13229	●	●	●
NS 3058	●	●	●
DEFRA	●	●	●
Stove colour:			
Black paint	●	●	●
Extra accessories:			
Chrome trim/black handle	□	□	□
Black trim/black handle	□	□	□
Option of closed combustion system**)	●	●	●
Floor plate glass	▲	▲	▲
Small/large module boxes (incl. magnets)	▲	▲	▲
Plinth for small/large module	-	▲	▲
Inside protection glass for modules	▲	▲	▲
Extra magnets	▲	▲	▲
Small/large wall bracket	▲	-	-

*) see further details in the manual on scan.dk

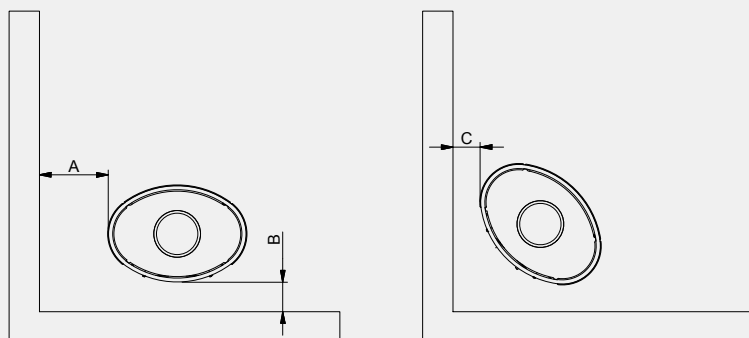
**) placed vertically

- = standard
- = option *)
- ▲ = extras

Some options can be at a supplementary price

We refer to the manuals for distances to combustible materials

Inserts (according to EN 13229)	DSA 4-5	DSA 12	SCAN 1001	SCAN 1002
EN nominal performance (kW)	6	9	7	8
Efficiency (%)	78	80	82	82
Emission (% CO at 13% O ₂)	0,10	0,09	0,07	0,07
Distance to combustible materials uninsulated start section, sides/rear/corner (mm) (A/B/C)				
Other Properties:				
Est. operating range (kW)	3-8	5-11	3-9	3-10
Room size approx. (m ³)	50-300	75-425	75-340	75-380
Max. log length (cm)	40	50	50	65
Weight (kg)	77	210	107	124
Dimensions HxWxD (mm)	540x 603x390	989x 840x460	570x 650x438	570x 800x438
Height to the middle of flue outlet rear (mm):	-	-	489	489
Fire box opening HxB (mm)	320x465	295x550	334x521	334x671
Flue outlet ext./ int. flue pipe (mm)	Ø159/Ø155	Ø179/Ø175	Ø148/Ø144	Ø148/Ø144
Flue outlet ext. Flexible pipe (mm)	Ø149	-	-	-
Clean Burn	•	•	•	•
Approvals:				
EN 13229	•	•	•	•
NS 3058	•	•	•	•
DEFRA	-	-	•	•
Stove colour:				
Black paint	□	•	□	□
Grey paint	□	-	-	-
Black glass	-	-	□	□
White glass	-	-	□	□
Extra accessories:				
Trim black, standard	□	•	□	□
Trim grey, standard	□	-	-	-
Trim chrome, standard	-	-	□	□
Custom made trims	▲	▲	▲	▲
Possibility for fresh air inlet in the convection channels**)	▲	-	-	-
Option of closed combustion system**))	-	•	•	•



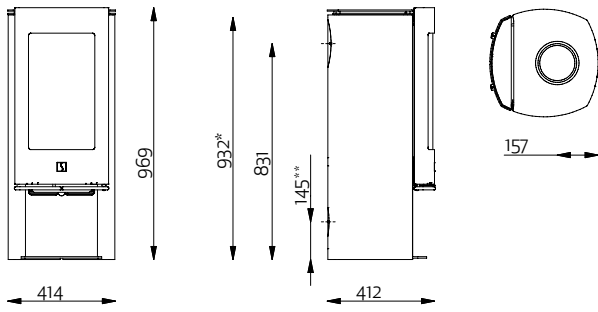
Measurement drawing:

The most standard clearances to combustible material are shown in the table, in which the measurements are referred to as A, B and C.

See www.scan.dk for further information.

SCAN 45

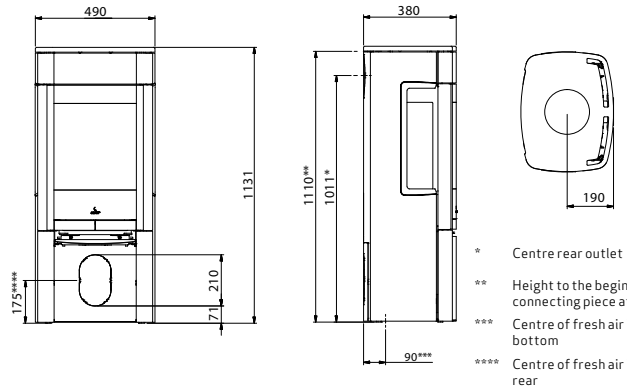
PAGE 14



- * Rear outlet
- ** Centre of fresh air intake rear

SCAN 65-1/2/3/4

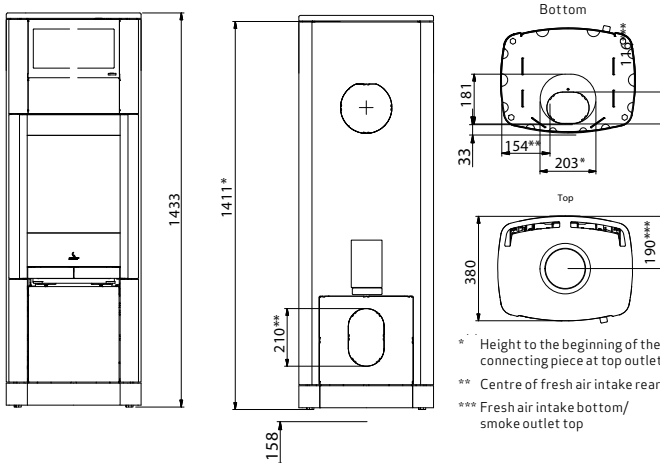
PAGE 14



- * Centre rear outlet
- ** Height to the beginning of the connecting piece at top outlet
- *** Centre of fresh air intake bottom
- **** Centre of fresh air intake rear

SCAN 65-5/6

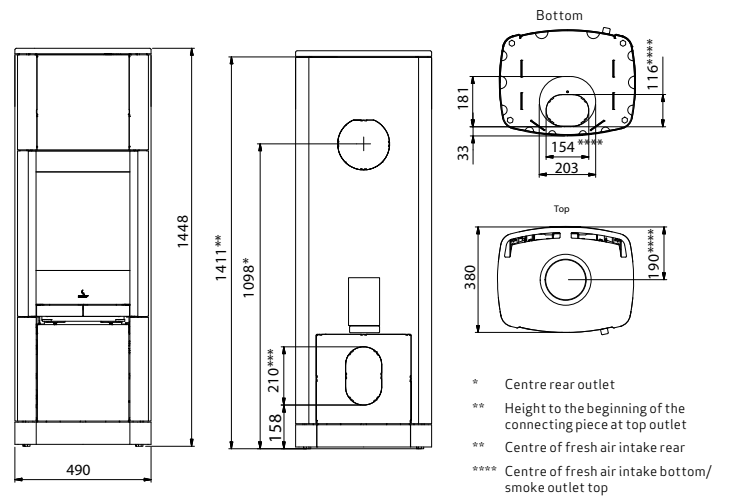
PAGE 14



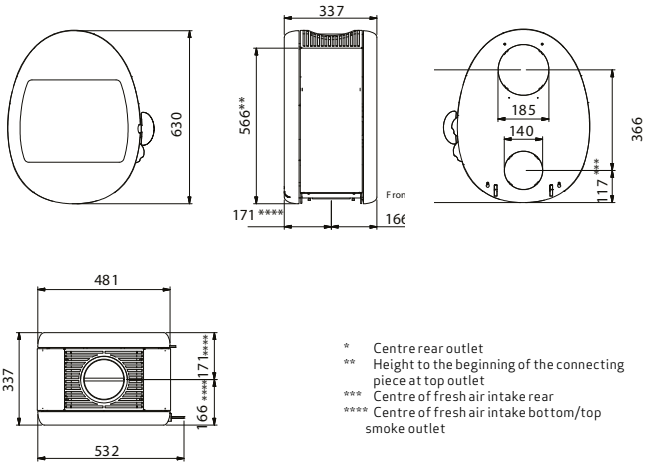
- * Height to the beginning of the connecting piece at top outlet
- ** Centre of fresh air intake rear
- *** Fresh air intake bottom/ smoke outlet top

SCAN 65-7/8

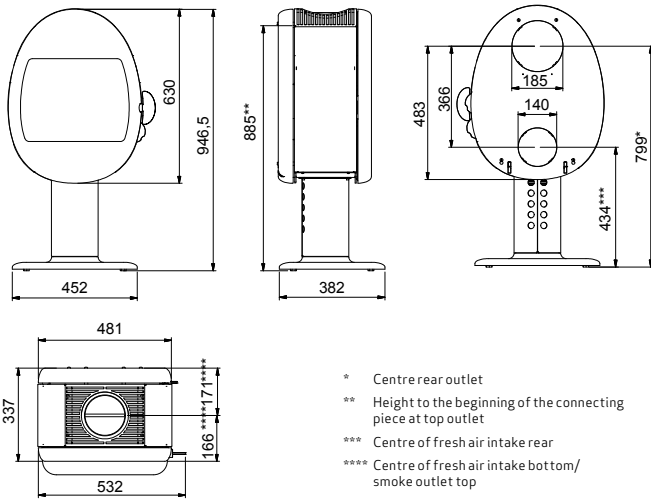
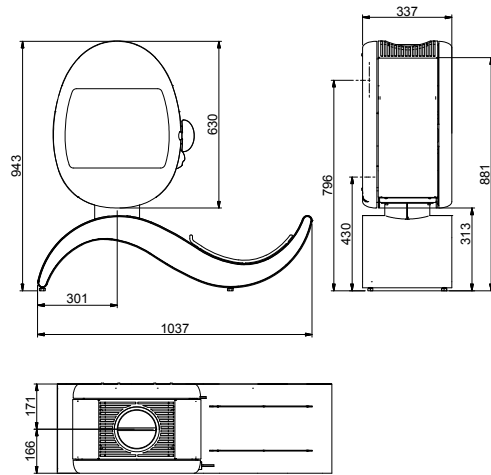
PAGE 14



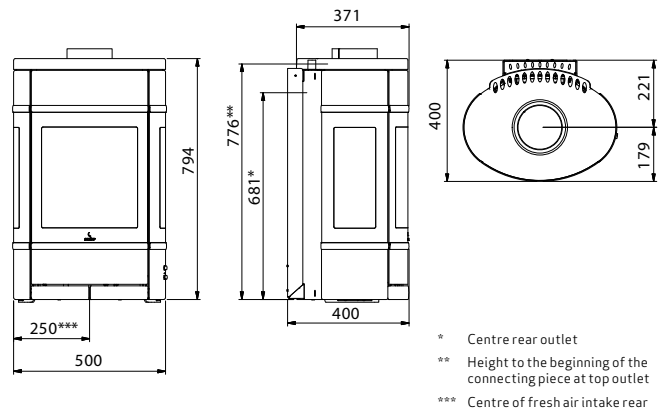
- * Centre rear outlet
- ** Height to the beginning of the connecting piece at top outlet
- *** Centre of fresh air intake rear
- **** Centre of fresh air intake bottom/ smoke outlet top



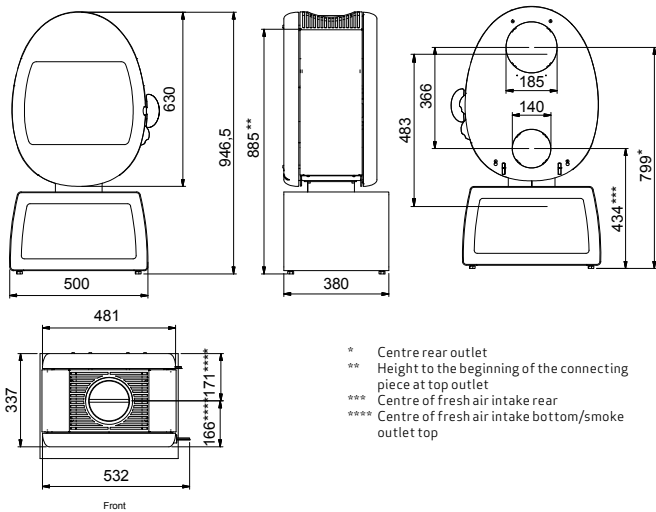
- * Centre rear outlet
- ** Height to the beginning of the connecting piece at top outlet
- *** Centre of fresh air intake rear
- **** Centre of fresh air intake bottom/top smoke outlet



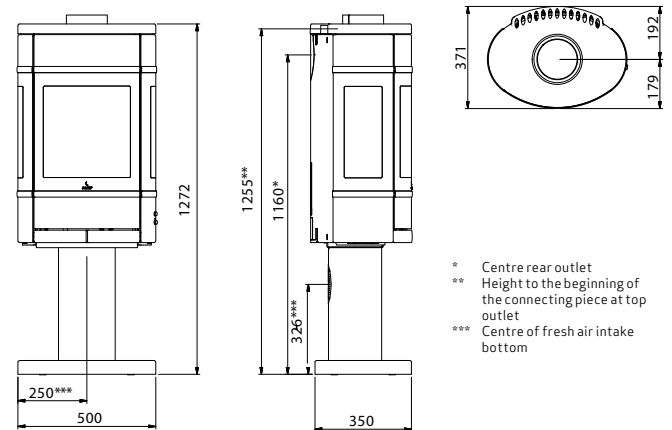
- * Centre rear outlet
- ** Height to the beginning of the connecting piece at top outlet
- *** Centre of fresh air intake rear
- **** Centre of fresh air intake bottom/top smoke outlet top



- * Centre rear outlet
- ** Height to the beginning of the connecting piece at top outlet
- *** Centre of fresh air intake rear



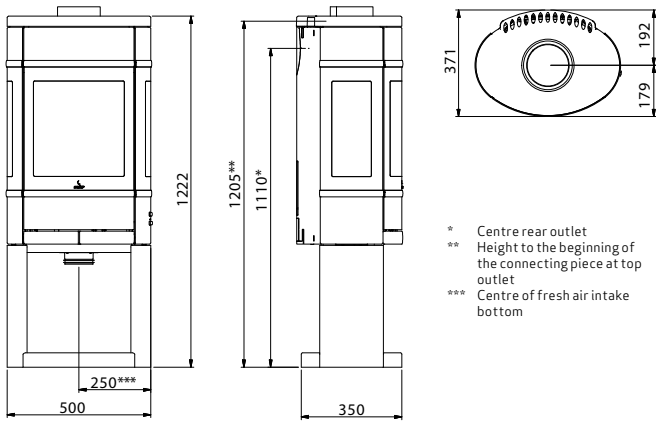
- * Centre rear outlet
- ** Height to the beginning of the connecting piece at top outlet
- *** Centre of fresh air intake rear
- **** Centre of fresh air intake bottom/smoke outlet top



- * Centre rear outlet
- ** Height to the beginning of the connecting piece at top outlet
- *** Centre of fresh air intake bottom

SCAN 68-5/6/11/12/13/14

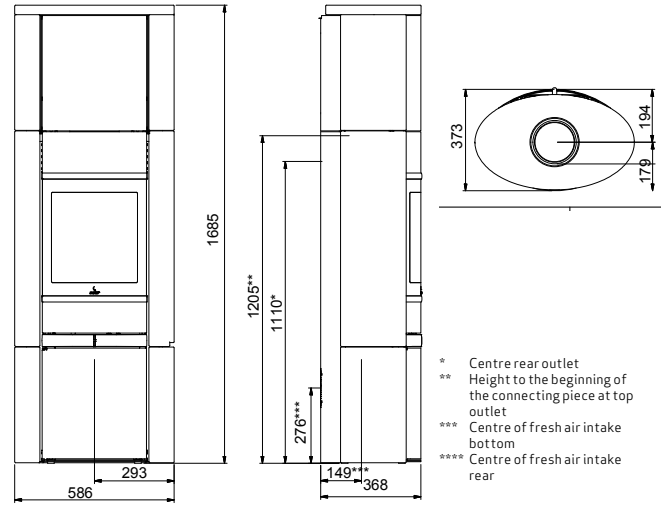
PAGE 18



- * Centre rear outlet
- ** Height to the beginning of the connecting piece at top outlet
- *** Centre of fresh air intake bottom

SCAN 68-15/16 HIGH TOP

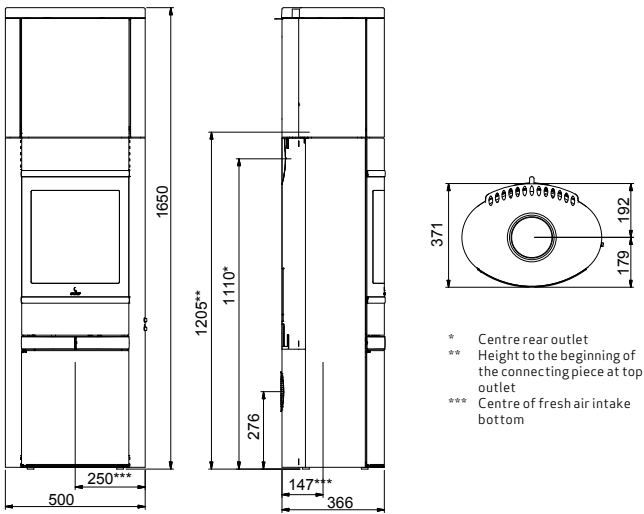
PAGE 18



- * Centre rear outlet
- ** Height to the beginning of the connecting piece at top outlet
- *** Centre of fresh air intake bottom
- **** Centre of fresh air intake rear

SCAN 68-13/14 HIGH TOP

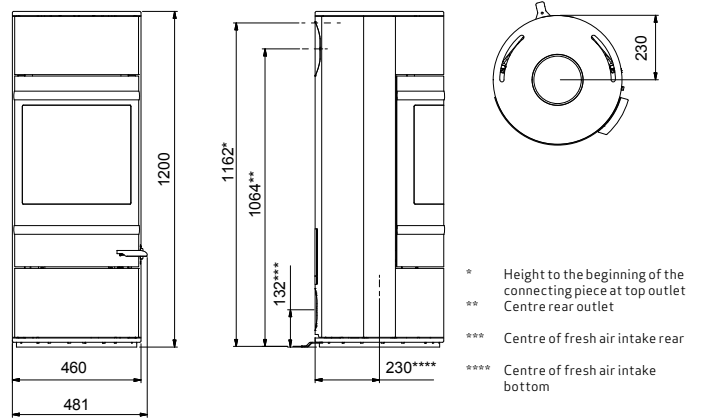
PAGE 18



- * Centre rear outlet
- ** Height to the beginning of the connecting piece at top outlet
- *** Centre of fresh air intake bottom

SCAN 83-1/2/5/6

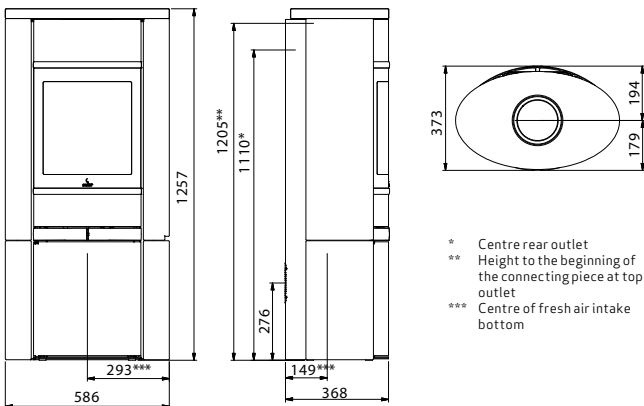
PAGE 24



- * Height to the beginning of the connecting piece at top outlet
- ** Centre rear outlet
- *** Centre of fresh air intake rear
- **** Centre of fresh air intake bottom

SCAN 68-15/16

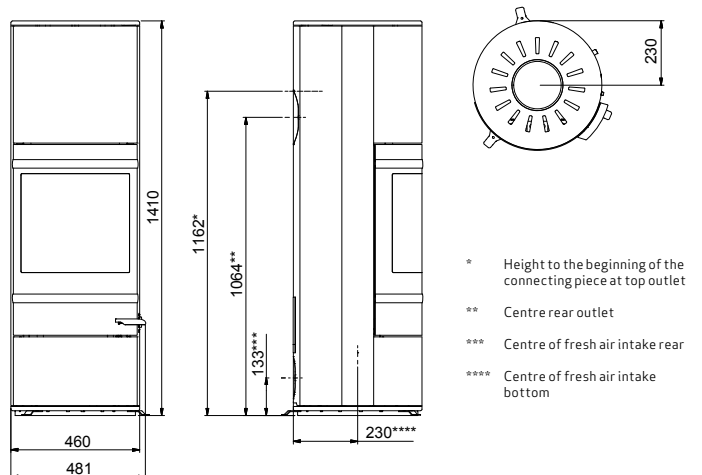
PAGE 18



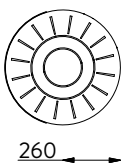
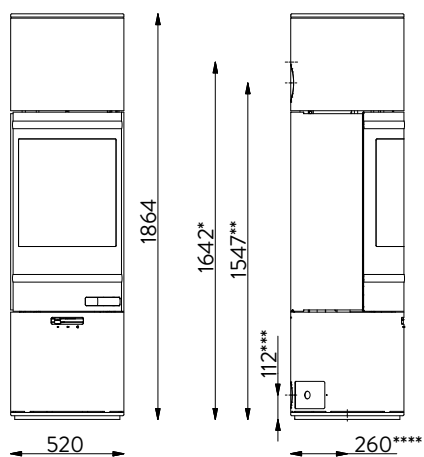
- * Centre rear outlet
- ** Height to the beginning of the connecting piece at top outlet
- *** Centre of fresh air intake bottom

SCAN 83-3/4/7/8 MAXI

PAGE 24

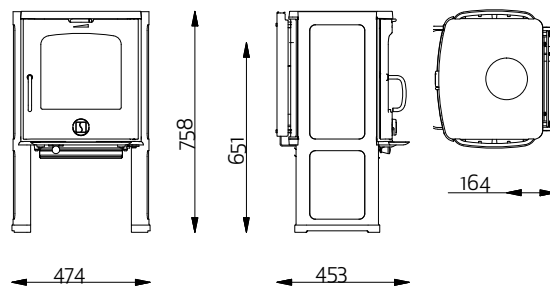


- * Height to the beginning of the connecting piece at top outlet
- ** Centre rear outlet
- *** Centre of fresh air intake rear
- **** Centre of fresh air intake bottom

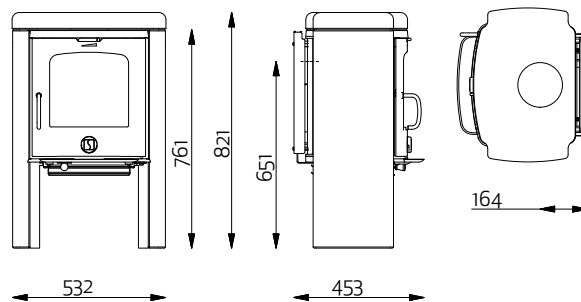


- * Height to the beginning of the connecting piece at top outlet
- ** Centre rear outlet
- *** Centre of fresh air intake rear
- **** Centre of fresh air intake bottom

Convection

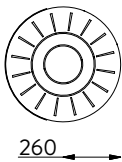
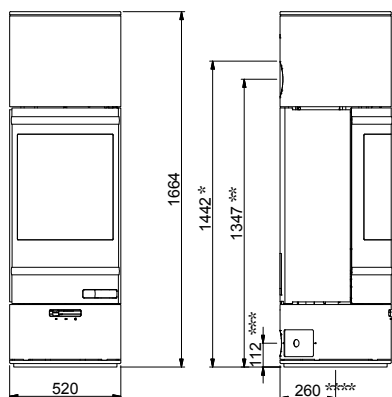


Soapstone

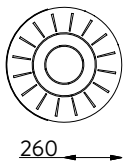
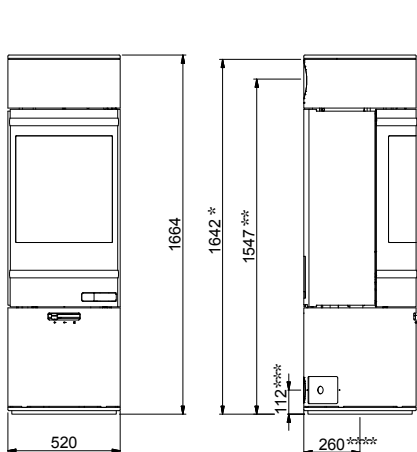


Scan Andersen 4-5 short leg version

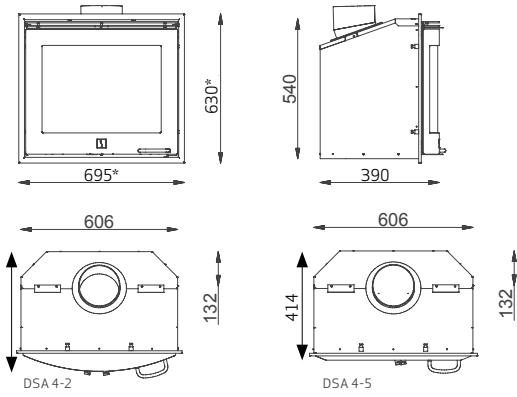
Height 560 mm x Width 410 mm x Depth 453 mm



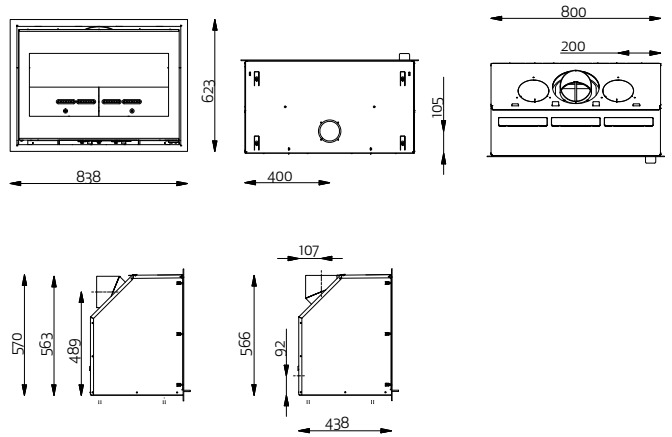
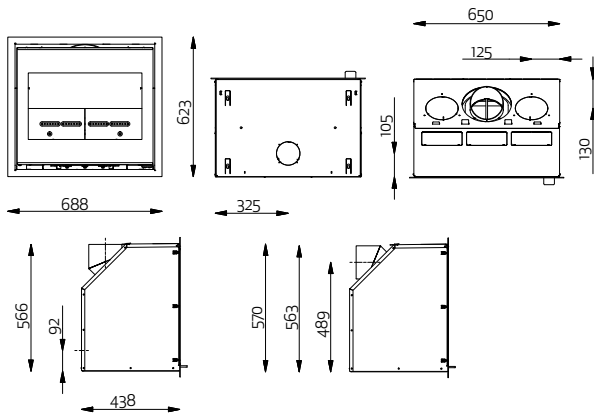
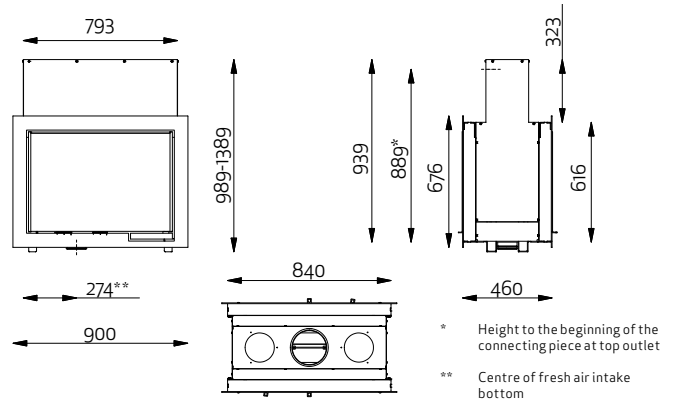
- * Height to the beginning of the connecting piece at top outlet
- ** Centre rear outlet
- *** Centre of fresh air intake rear
- **** Centre of fresh air intake bottom



- * Height to the beginning of the connecting piece at top outlet
- ** Centre rear outlet
- *** Centre of fresh air intake rear
- **** Centre of fresh air intake bottom

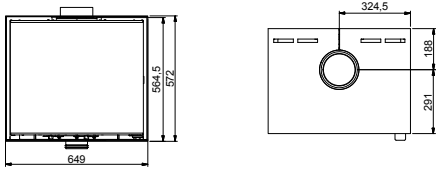


* Measurement includes UK standard 50mm trim.



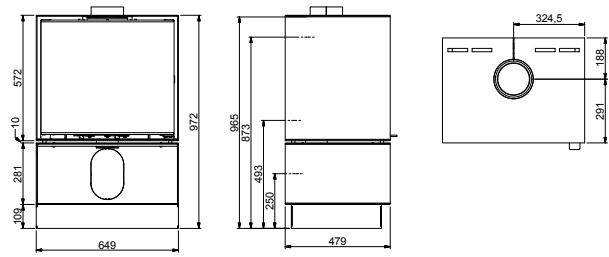
SCAN 1010 WALL

PAGE 10



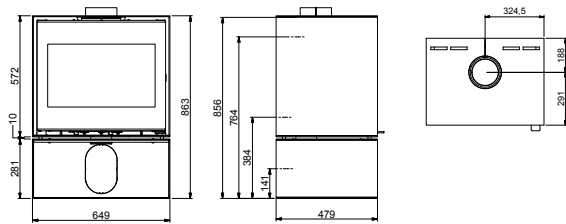
SCAN 1010 WITH BASE AND PLINTH

PAGE 10



SCAN 1010 WITH BASE MODULE

PAGE 10





For us it is not just about warmth, but about delivering a perfect flame, enclosed in a design-conscious piece of furniture to suit the majority of homes.

Retailer info: