

PARKRAY 



you're home.



hunterstoves
GROUP

Our Parkray range offers great looking stoves and has something for everyone. From slimline, space-conscious solutions, to effective larger stoves for open plan rooms, we can warm up any space.

THERE IS NOTHING QUITE AS ROMANTIC AS SITTING IN FRONT OF A WOOD BURNING STOVE AND OUR PARKRAY RANGE OFFERS THE PERFECT SOLUTION FOR HOMES LARGE OR SMALL. FEATURING A SELECTION OF BOTH TRADITIONAL AND CONTEMPORARY DESIGNS, WE HAVE A STYLE TO SUIT EVERY SETTING.

Most of the stoves in the Parkray range are DEFRA-approved to ensure they cover Smoke Control Area standards for peace of mind. With easy control and Tripleburn® technology for eco-friendly efficient burning, you will find the Parkray range offers the ideal solution to warm up your home.

WARRANTY	3
ASPECT 4 RANGE	4 - 7
ASPECT 5 RANGE	8 - 13
ASPECT 8 RANGE	14 - 15
CONSORT 4 RANGE	16 - 17
CONSORT 5 RANGE	18 - 21
CONSORT 7 RANGE	22 - 23
CONSORT 9 RANGE	24 - 27
CONSORT 15 RANGE	28 - 29
DERWENT	30 - 31
DOUBLE-SIDED SINGLE DEPTH	32 - 35
DOUBLE-SIDED DOUBLE DEPTH	36 - 39
CHEVIN 5 INSET	40 - 41
CHEVIN 20B INSET	42 - 43
OPTIONS / FEATURES	44 - 49
PARKRAY TRIPLEBURN®	50 - 53
DIMENSIONS	54 - 59



ASPECT 8 SLIMLINE / STAINLESS STEEL HANDLE



10 year warranty

ALL PARKRAY AUTHORISED DEALERS PROVIDE YOU WITH AN EXTENDED 10 YEAR WARRANTY
 For full warranty specifications, terms and a list of authorised stockists, please visit www.hunterstoves.co.uk

aspect 4 *compact*

PARKRAY CONTEMPORARY RANGE



THE ASPECT 4 COMPACT IS THE SMALLEST OF THE ASPECT RANGE BUT IT REALLY KICKS OUT SOME HEAT.

With a heat output range of 3-5kW, DEFRA-approved and a very high efficiency, this stove may be small but ensures a beautiful view of the flames through its large viewing window.

- DEFRA-APPROVED
- NO AIR BRICK REQUIRED
- 5" FLUE COLLAR
- TRIPLEBURN® TECHNOLOGY
- HOT AIRWASH SYSTEM
- LARGE VIEWING WINDOW
- CAN BE FITTED ON A 12MM HEARTH
- MULTIFUEL OPTION
- HANDLE OPTIONS: BLACK CHROME AND STAINLESS STEEL

HEAT OUTPUT 3kW TO 5kW

NOMINAL 4.9kW



aspect 4

PARKRAY CONTEMPORARY RANGE



THE ASPECT RANGE FEATURES A LARGE WINDOW SO YOU CAN VIEW THE BEAUTY OF THE FLAMES IN YOUR STOVE.

Combining looks, controllability and a very high efficiency, the Aspect 4 is the perfect addition to any home. This stove is also DEFRA-approved and with a heat output of 4.9kW, no air brick is required.

- DEFRA-APPROVED
- NO AIR BRICK REQUIRED
- 5" FLUE COLLAR
- TRIPLEBURN® TECHNOLOGY
- HOT AIRWASH SYSTEM
- LARGE VIEWING WINDOW
- CAN BE FITTED ON A 12mm HEARTH
- MULTIFUEL OPTION
- HANDLE OPTIONS: BLACK CHROME AND STAINLESS STEEL

HEAT OUTPUT 3.5kW TO 5.5kW

NOMINAL 4.9kW

ASPECT 4 / STAINLESS STEEL HANDLE



aspect 5 *compact*

PARKRAY CONTEMPORARY RANGE



THE ASPECT 5 COMPACT MIGHT BE THE 5'S SMALLER BROTHER BUT IT BURNS AT AN IMPRESSIVE OUTPUT RANGE OF BETWEEN 4 AND 6kW.

As with all of the stoves in the Aspect range, the choice options include two different handles, which means this stove can be adapted to suit any interior. The entire range is also DEFRA-approved.

- DEFRA-APPROVED
- NO AIR BRICK REQUIRED
- 5" FLUE COLLAR
- TRIPLEBURN® TECHNOLOGY
- HOT AIRWASH SYSTEM
- LARGE VIEWING WINDOW
- CAN BE FITTED ON A 12MM HEARTH
- MULTIFUEL OPTION
- HANDLE OPTIONS: BLACK CHROME AND STAINLESS STEEL

HEAT OUTPUT 4kW TO 6kW

NOMINAL 4.9kW

ASPECT 5 COMPACT / STAINLESS STEEL HANDLE



aspect 5

PARKRAY CONTEMPORARY RANGE



HIGHLY CONTROLLABLE, THE ASPECT 5 CAN CHANGE FROM AN OUTPUT OF 7kW TO AN OUTPUT OF 4kW IN SECONDS.

Even with the high output, this stove has an impressive CO emission of 0.17% so you can keep warm whilst being environmentally friendly!

- DEFRA-APPROVED
- NO AIR BRICK REQUIRED
- 5" FLUE COLLAR
- TRIPLEBURN® TECHNOLOGY
- HOT AIRWASH SYSTEM
- LARGE VIEWING WINDOW
- CAN BE FITTED ON A 12mm HEARTH
- MULTIFUEL OPTION
- HANDLE OPTIONS: BLACK CHROME AND STAINLESS STEEL

HEAT OUTPUT 4kW TO 7kW

NOMINAL 4.9kW



aspect 5

slimline

PARKRAY CONTEMPORARY RANGE



TAKE IN THE FULL VIEW OF YOUR FIRE
WITH THE ASPECT 5 SLIMLINE.

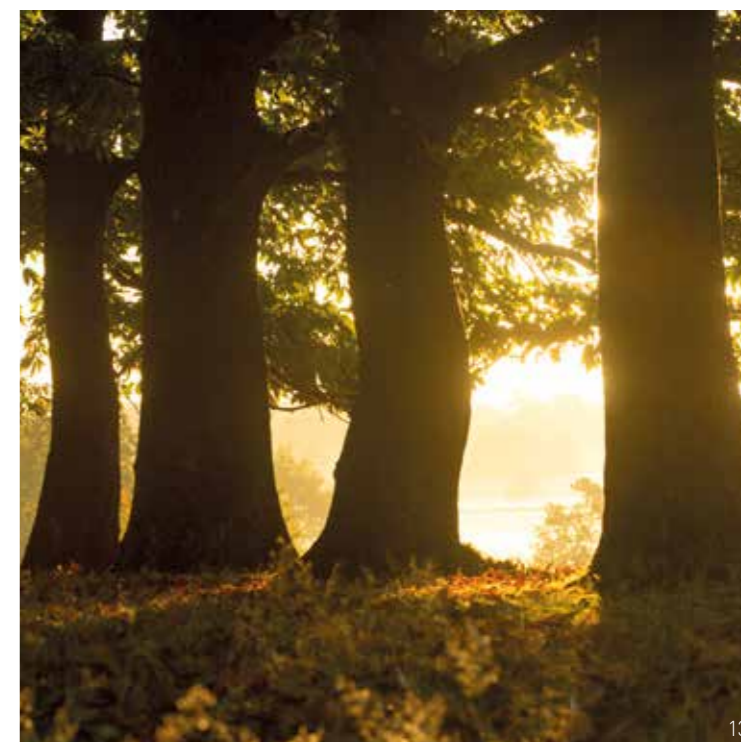
The Aspect 5 Slimline packs in all the features of the 5 but in a slimmer box. Highly controllable with our single air control and easily installed with the 5" collar, this stove really offers contemporary elegance.

- DEFRA- APPROVED
- NO AIR BRICK REQUIRED
- 5" FLUE COLLAR
- TRIPLEBURN® TECHNOLOGY
- HOT AIRWASH SYSTEM
- LARGE VIEWING WINDOW
- CAN BE FITTED ON A 12MM HEARTH
- CONVECTION STOVE
- MULTIFUEL OPTION
- HANDLE OPTIONS: BLACK CHROME AND STAINLESS STEEL

HEAT OUTPUT **3.5kW TO 5.5kW**

NOMINAL **4.9kW**

ASPECT 5 SLIMLINE / STAINLESS STEEL HANDLE



aspect 8

slimline

PARKRAY CONTEMPORARY RANGE



THE BIGGEST STOVE IN THE ASPECT RANGE, THE ASPECT 8 SLIMLINE MAXIMISES THE VIEW OF YOUR FIRE.

The dominant feature in all of our Aspect stoves is the large glass panel. Although this stove is slim, it is perfect for installations with limited space as the window gives the appearance of a much larger stove.

- DEFRA-APPROVED
- NO AIR BRICK REQUIRED
- 5" FLUE COLLAR
- TRIPLEBURN® TECHNOLOGY
- HOT AIRWASH SYSTEM
- LARGE VIEWING WINDOW
- CAN BE FITTED ON A 12MM HEARTH
- CONVECTION STOVE
- MULTIFUEL OPTION
- HANDLE OPTIONS: BLACK CHROME AND STAINLESS STEEL

HEAT OUTPUT	4kW TO 6kW
NOMINAL	4.9kW



ASPECT 8 SLIMLINE / BLACK CHROME HANDLE



CONSORT 4

PARKRAY TRADITIONAL RANGE



CONSORT 4 / MULTIFUEL

SMALL CAN BE POWERFUL! THE CONSORT 4 IS A SMART, COMPACT STOVE THAT DELIVERS AN IMPRESSIVE HEAT OUTPUT OF UP TO 5.5kW.

For such a small model, this is a remarkable output. Simple to fit (no air brick required) and easy to operate, it's a modern classic. Even though it's less than 40cm wide, the Consort 4 will heat any standard size room. Able to utilise either solid fuel or wood, the Consort 4 will give you hours of warmth and enjoyment.



• MULTIFUEL • WOOD FUEL

- DEFRA-APPROVED
- NO AIR BRICK REQUIRED
- 5" FLUE COLLAR
- TRIPLEBURN® TECHNOLOGY
- HOT AIRWASH SYSTEM
- CAN BE FITTED ON A 12MM HEARTH
- WOOD OPTION

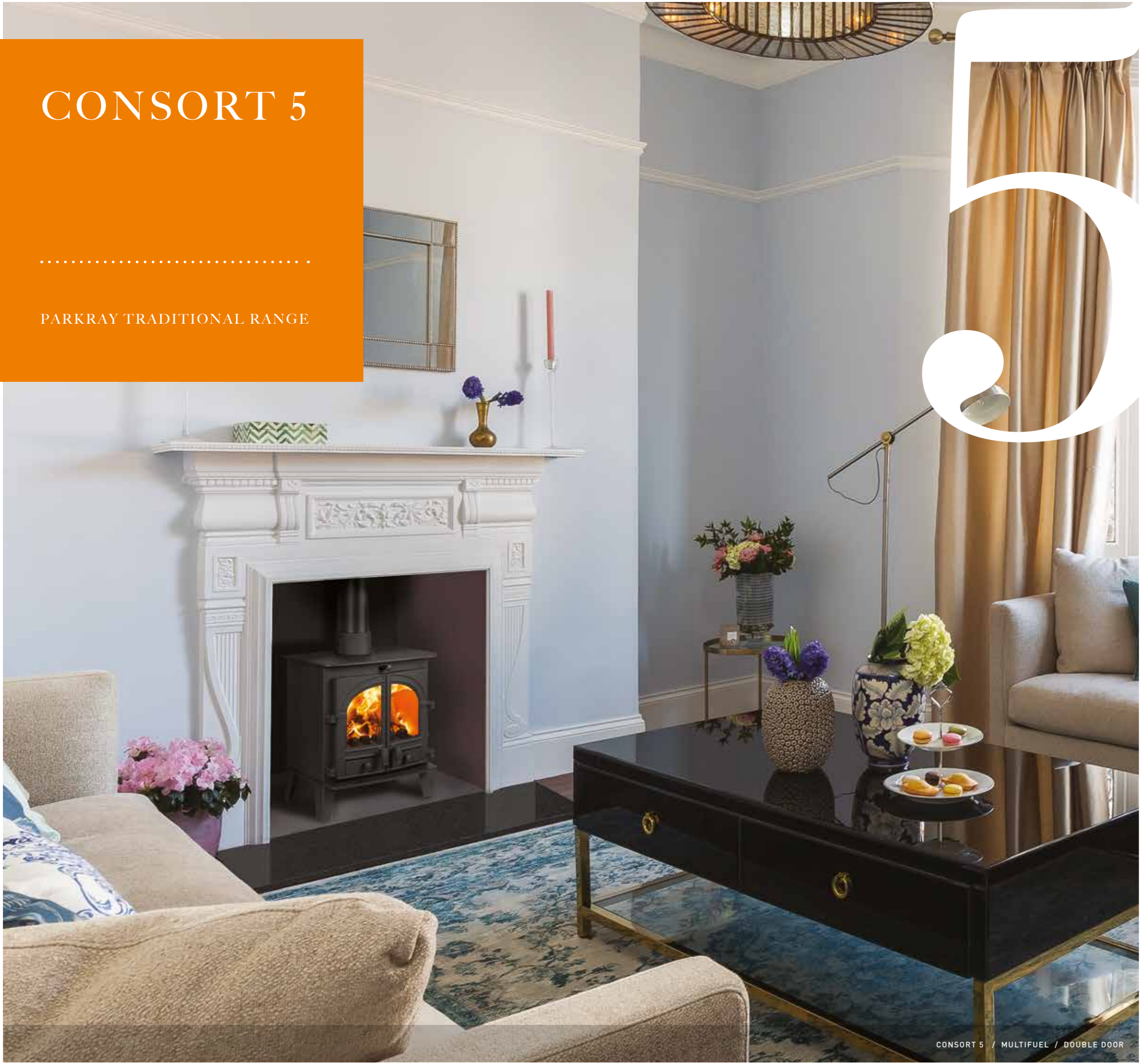
HEAT OUTPUT 3kW TO 5.5kW

NOMINAL 4.7kW



CONSORT 5

PARKRAY TRADITIONAL RANGE



Remarkably
efficient with an
impressive output.

THIS RANGE PACKS THE BEST FEATURES
INTO A COLLECTION OF TRADITIONAL
LOOKING STOVES.

All Consort 5 models feature 5" flue collars,
Tripleburn® technology and our Hot Airwash
System in a size that suits your home.



CONSORT 5



CONSORT 5 COMPACT

THE CONSORT 5 COMPACT HAS ALL THE EFFICIENCY OF THE STANDARD CONSORT 5 JUST IN A SLIGHTLY SMALLER UNIT.

Thanks to its technology, the Consort 5 Compact offers an efficient performance in a small package. Slightly larger than the Consort 4, the Consort 5 Compact is a versatile multifuel burner with a generous output of 3.5 - 5.5kW. It's one of our best performing models with an efficiency of 76%.



• MULTIFUEL • WOOD FUEL

- DEFRA-APPROVED
- NO AIR BRICK REQUIRED
- 5" FLUE COLLAR
- TRIPLEBURN® TECHNOLOGY
- HOT AIRWASH SYSTEM
- CAN BE FITTED ON A 12MM HEARTH
- WOOD OPTION AVAILABLE

HEAT OUTPUT **3.5kW TO 5.5kW**

NOMINAL **4.7kW**

CONSORT 5

IF YOU ARE LOOKING FOR A LITTLE MORE HEAT FOR A SLIGHTLY BIGGER ROOM, THE CONSORT 5 HAS A STRIKINGLY IMPRESSIVE OUTPUT.

Independent tests have certified an amazing efficiency of 78%. This not only means a better return for every log you use but also that it is exempt from Smoke Control regulations. With its traditional, homely feel the Consort 5 is, hardly surprisingly, one of our most popular models.



• MULTIFUEL • WOOD FUEL

- DEFRA-APPROVED
- NO AIR BRICK REQUIRED
- 5" FLUE COLLAR
- TRIPLEBURN® TECHNOLOGY
- HOT AIRWASH SYSTEM
- CAN BE FITTED ON A 12MM HEARTH
- WOOD OPTION AVAILABLE

HEAT OUTPUT **3.5kW TO 6kW**

NOMINAL **4kW**

CONSORT 5 SLIMLINE

IF YOU ARE LIMITED FOR SPACE OR WANT TO FIT A STOVE IN AN AWKWARD SPOT, THE CONSORT 5 SLIMLINE COULD BE AN IMAGINATIVE SOLUTION.

It is a slightly wider and slimmer model able to provide all the heat and efficiency that you expect from the Consort range. The Slimline 5 is ideal within shallow contemporary fireplaces. The stove is DEFRA-approved for smoke controlled areas.



• MULTIFUEL • MULTIFUEL • WOOD FUEL • WOOD FUEL
• DOUBLE DOOR • SINGLE DOOR • DOUBLE DOOR • SINGLE DOOR

- DEFRA-APPROVED
- NO AIR BRICK REQUIRED
- 5" FLUE COLLAR
- TRIPLEBURN® TECHNOLOGY
- HOT AIRWASH SYSTEM
- CAN BE FITTED ON A 12MM HEARTH
- WOOD OPTION AVAILABLE

HEAT OUTPUT **3.5kW TO 6kW**

NOMINAL **4.4kW**



CONSORT 7

PARKRAY TRADITIONAL RANGE



A REAL FIRE CREATES A FABULOUS WARM ATMOSPHERE AND HEATS YOUR WHOLE HOME.

Our modern models are supremely efficient. You can even add a boiler to really put this stove to work. With an output of 7.5kW, the Consort 7 is permitted for use in Smoke Control Areas. Ideal for anyone looking for performance and economy.



- MULTIFUEL • DOUBLE DOOR
- MULTIFUEL • SINGLE DOOR
- WOOD FUEL • DOUBLE DOOR
- WOOD FUEL • SINGLE DOOR

- DEFRA-APPROVED
- TRIPLEBURN® TECHNOLOGY
- HOT AIRWASH SYSTEM
- CAN BE FITTED ON A 12MM HEARTH
- BOILER OPTION
- WOOD OPTION AVAILABLE

HEAT OUTPUT 4kW TO 7.5kW

NOMINAL 5.4kW

CLIP-IN BOILER
2 RADIATORS



NOMINAL OUTPUT BURNING WOOD
4kW to water 1.5kW to room

NOMINAL OUTPUT BURNING SMOKELESS FUEL
4kW to water 1.5kW to room

MAXIMUM OUTPUT
4kW (13,600BTU) to water 2.5kW to room

CONSORT 9

PARKRAY TRADITIONAL RANGE



A family-sized stove with a generous output to match.

A FAMILY-SIZED STOVE WITH A GENEROUS HEAT TO MATCH. THE CONSORT 9 AND 9 SLIMLINE HAVE AN IMPRESSIVE OUTPUT AND ARE PERFECT FOR HEATING LARGER ROOMS.

The Consort 9 is capable of heating your home and your water with the addition of wrap-around and clip-in boilers.



CONSORT 9



CONSORT 9

THE CONSORT 9 HAS BEEN DESIGNED FOR EFFICIENT PERFORMANCE IN LARGER FAMILY ROOMS.

Running at an efficiency of 78.9%, the Consort 9 is an economical way to heat larger areas. It has been painstakingly designed to utilise our best-ever technology. With an output of up to 11kW this is a well-equipped stove.



- MULTIFUEL DOUBLE DOOR
- MULTIFUEL SINGLE DOOR
- WOOD FUEL DOUBLE DOOR
- WOOD FUEL SINGLE DOOR

- TRIPLEBURN® TECHNOLOGY
- HOT AIRWASH SYSTEM
- BOILER OPTION
- LARGE VIEWING WINDOW
- LARGE OUTPUT RANGE
- WOOD OPTION AVAILABLE

HEAT OUTPUT **6kW TO 11kW**

NOMINAL **9kW**

BOILER OPTIONS

ASK OUR EXPERTS ABOUT THE CENTRAL HEATING MODELS AVAILABLE FOR THE CONSORT 9.

WRAP-AROUND BOILER 7 RADIATORS



NOMINAL OUTPUT BURNING WOOD
6kW to water **2.2kW to room**

NOMINAL OUTPUT BURNING SMOKELESS FUEL
6.3kW to water **1.7kW to room**

MAXIMUM OUTPUT
8.5kW (29,000BTU) to water **2.5kW to room**

CLIP-IN BOILER 3 RADIATORS



NOMINAL OUTPUT BURNING WOOD
5.5kW to water **2.5kW to room**

NOMINAL OUTPUT BURNING SMOKELESS FUEL
5.5kW to water **2.5kW to room**

MAXIMUM OUTPUT
5.5kW (18,750BTU) to water **2.5kW to room**

CONSORT 9 SLIMLINE

THE SLIMLINE 9 IS DESIGNED SPECIFICALLY TO FIT IN SHALLOW FIREPLACES, BUT WITHOUT COMPROMISING ON STYLE.

The wide fuel bed can be stacked with plenty of fuel for a long, efficient burn. Airflow controls allow you to manage a range of temperatures. The generous output of up to 11kW makes this model ideal for family spaces.



- MULTIFUEL DOUBLE DOOR
- MULTIFUEL SINGLE DOOR
- WOOD FUEL DOUBLE DOOR
- WOOD FUEL SINGLE DOOR

- DEFRA-APPROVED
- NO AIR BRICK REQUIRED
- 5" FLUE COLLAR
- TRIPLEBURN® TECHNOLOGY
- HOT AIRWASH SYSTEM
- CAN BE FITTED ON A 12MM HEARTH
- LARGE VIEWING WINDOW
- WOOD OPTION AVAILABLE

HEAT OUTPUT **4.5kW TO 8kW**

NOMINAL **4.9kW**



CONSORT 15

PARKRAY TRADITIONAL RANGE



DESPITE ITS ROARING BLAZE, THE CONSORT 15 HAS AN INDEPENDENTLY TESTED EFFICIENCY OF 78.6%.

Three air streams ensure effective ignition and lower emissions - delivering supreme performance in a family-sized package. Customise it with optional extras, or add a boiler and put the Consort 15 to work. The airflow controls are easy to use and offer adjustable heat levels, enabling you to warm up big or open-plan spaces with ease.



- MULTIFUEL DOUBLE DOOR
- MULTIFUEL SINGLE DOOR
- WOOD FUEL DOUBLE DOOR
- WOOD FUEL SINGLE DOOR

- TRIPLEBURN® TECHNOLOGY
- HOT AIRWASH SYSTEM
- BOILER OPTION
- WOOD OPTION AVAILABLE

HEAT OUTPUT 8kW TO 15kW

NOMINAL 11.9kW

WRAP-AROUND BOILER

10 RADIATORS



NOMINAL OUTPUT BURNING WOOD
9.1kW to water 4.8kW to room

NOMINAL OUTPUT BURNING SMOKELESS FUEL
9.5kW to water 4.8kW to room

MAXIMUM OUTPUT
13kW (44,000BTU) to water 3kW to room

CLIP-IN BOILER

4 RADIATORS



NOMINAL OUTPUT BURNING WOOD
5kW to water 3.5kW to room

NOMINAL OUTPUT BURNING SMOKELESS FUEL
5kW to water 3.5kW to room

MAXIMUM OUTPUT
7.7kW (23,950BTU) to water 4.5kW to room

DERWENT

.....
PARKRAY TRADITIONAL RANGE

ad

THE DERWENT IS ONE OF OUR SMALLEST STOVES. IT HAS A STRIKING CONTEMPORARY LOOK AND HAS BEEN DESIGNED TO FIT COMFORTABLY IN A LIMITED SPACE.

With such a small footprint it has an impressive output of up to 5kW. It ensures your fuel burns better, for longer. Tripleburn® technology ensures that fuel is effectively ignited and used economically.

-
- DEFRA-APPROVED
 - NO AIR BRICK REQUIRED
 - 5" FLUE COLLAR
 - TRIPLEBURN® TECHNOLOGY
 - HOT AIRWASH SYSTEM

HEAT OUTPUT 3.5kW TO 5kW

NOMINAL 4.8kW



DOUBLE -SIDED

single depth

PARKRAY TRADITIONAL RANGE



A focal point on both sides, perfect for open-plan living for both traditional and contemporary rooms.

.....

A DOUBLE-SIDED STOVE IS A REVELATION FOR OPEN-PLAN SPACES AND A SINGLE DEPTH STOVE RADIATES HEAT MORE EFFECTIVELY THROUGH YOUR LIVING SPACE.

The Double-Sided Single Depth range features our classic Consort stoves; 4, 7, 9 and our largest yet, the Consort 15.



DOUBLE-SIDED *single depth*



CONSORT 4 SINGLE DEPTH

IF YOU ARE LOOKING FOR GREAT ECONOMY, A DOUBLE-SIDED CONSORT 4 MODEL IS A COMPACT STOVE THAT RADIATES HEAT MORE EFFECTIVELY THROUGH YOUR LIVING SPACE.

It's easy to install and even easier to use. The internal airwash helps to keep the glass clear and airflow controls on both sides enable you to operate the stove on either side.



- MULTIFUEL
- WOOD FUEL

- 5" FLUE COLLAR
- HOT AIRWASH SYSTEM
- WOOD OPTION AVAILABLE

HEAT OUTPUT 4kW TO 6kW

NOMINAL 5.5kW

CONSORT 7 SINGLE DEPTH

THE CONSORT 7 OFFERS A GREAT COMBINATION OF STYLE AND ECONOMY.

Our Double-Sided stove is perfect for open fireplaces, where it provides a focal point on both sides. This variation on our renowned Consort 7 stove has a generous output of up to 8kW. This is a great option for an installation in any open-plan space.



- MULTIFUEL DOUBLE DOOR
- MULTIFUEL SINGLE DOOR
- WOOD FUEL DOUBLE DOOR
- WOOD FUEL SINGLE DOOR

- HOT AIRWASH SYSTEM
- WOOD OPTION AVAILABLE

HEAT OUTPUT 5kW TO 8kW

NOMINAL 6.5kW

CONSORT 9 SINGLE DEPTH

THE CONSORT 9 DOUBLE-SIDED STOVE IS THE ULTIMATE WAY TO WARM A LARGE SPACE AND BRING IT TO LIFE.

This option will warm your space quickly and effectively. Thanks to Tripleburn® technology, it reaches 79% efficiency - so it's a wise choice for the budget conscious.



- MULTIFUEL DOUBLE DOOR
- MULTIFUEL SINGLE DOOR
- WOOD FUEL DOUBLE DOOR
- WOOD FUEL SINGLE DOOR

- HOT AIRWASH SYSTEM
- LARGE VIEWING WINDOW
- LARGE OUTPUT RANGE
- WOOD OPTION AVAILABLE

HEAT OUTPUT 6kW TO 11kW

NOMINAL 8.9kW

CONSORT 15 SINGLE DEPTH

THE LUXURIOUS CONSORT 15 CREATES A SERIOUSLY HEARTY OUTPUT.

Fuel it up and the Consort 15 Double-Sided Single Depth can be left to smoulder. Equipped with all our finest hot airwash and Tripleburn® technology, with heat outputs ranging from 8kW to 15kW, it can handle big open-plan spaces with ease.



- MULTIFUEL DOUBLE DOOR
- MULTIFUEL SINGLE DOOR
- WOOD FUEL DOUBLE DOOR
- WOOD FUEL SINGLE DOOR

- HOT AIRWASH SYSTEM
- LARGE VIEWING WINDOW
- LARGE OUTPUT RANGE
- WOOD OPTION AVAILABLE

HEAT OUTPUT 8kW TO 15kW

NOMINAL 11.6kW

DOUBLE -SIDED

double depth

PARKRAY TRADITIONAL RANGE



With large windows showing radiant flames on both sides, a Double-Sided Double Depth stove will be the main focus of your home.

MAKE A DOUBLE-SIDED DOUBLE DEPTH THE HEART OF YOUR HOME AND BRING LARGE SPACES TO LIFE.

These imposing stoves use our Tripleburn® technology and the Double-Sided Double Depth Consort 15 can produce up to a staggering 25kW heat output - ideal for those who don't do anything by halves.



DOUBLE-SIDED *double depth*



CONSORT 4 DOUBLE DEPTH

A FAMILY FAVOURITE, THE CONSORT 4 DOUBLE-SIDED DOUBLE DEPTH STOVE ECONOMICALLY PROVIDES FOR ALL YOUR HEATING NEEDS AND ITS REFINED LINES MAKE IT A PLEASURE TO LOOK AT.

With an increased output of almost 100% on the double-sided single depth model, the Consort 4 is powerful, compact and easy to control with the help of our airflow controls on both sides.



- MULTIFUEL
- WOOD FUEL

- HOT AIRWASH SYSTEM
- WOOD OPTION AVAILABLE
- 5" FLUE COLLAR

HEAT OUTPUT 6kW TO 11kW

NOMINAL 10.6kW

CONSORT 7 DOUBLE DEPTH

A WELL BALANCED STOVE, THE CONSORT 7 DOUBLE-SIDED DOUBLE DEPTH MODEL IS BUILT TO HANDLE ALL SORTS OF ROOM SIZES AND HOUSE TYPES WHILE MAINTAINING COMPOSED ELEGANCE.

A heat output of up to 13kW, large viewing window on both sides and our combination of style and economy means the Consort 7 Double-Sided Double Depth is perfect for large open fireplaces.



- MULTIFUEL
- MULTIFUEL
- WOOD FUEL
- WOOD FUEL
- DOUBLE DOOR
- SINGLE DOOR
- DOUBLE DOOR
- SINGLE DOOR

- HOT AIRWASH SYSTEM
- LARGE OUTPUT RANGE
- WOOD OPTION AVAILABLE

HEAT OUTPUT 8kW TO 13kW

NOMINAL 10.5kW

CONSORT 9 DOUBLE DEPTH

RADIANT FLAMES ON BOTH SIDES OF THE CONSORT 9 BRING LARGE SPACES TO LIFE, WARMING THEM QUICKLY AND EFFECTIVELY.

The heat output can reach an impressive 18kW while the stove continues to maintain good efficiency thanks to our Tripleburn® technology.



- MULTIFUEL
- MULTIFUEL
- WOOD FUEL
- WOOD FUEL
- DOUBLE DOOR
- SINGLE DOOR
- DOUBLE DOOR
- SINGLE DOOR

- HOT AIRWASH SYSTEM
- LARGE VIEWING WINDOW
- LARGE OUTPUT RANGE
- WOOD OPTION AVAILABLE

HEAT OUTPUT 8kW TO 18kW

NOMINAL 11.4kW

CONSORT 15 DOUBLE DEPTH

THE CONSORT 15 DOUBLE-SIDED, DOUBLE DEPTH IS OUR BIGGEST STOVE YET.

Perfect for heating big spaces with ease and packed with our best technology, this is a classic stove on a much grander scale.



- MULTIFUEL
- MULTIFUEL
- WOOD FUEL
- WOOD FUEL
- DOUBLE DOOR
- SINGLE DOOR
- DOUBLE DOOR
- SINGLE DOOR

- HOT AIRWASH SYSTEM
- LARGE VIEWING WINDOW
- LARGE OUTPUT RANGE
- WOOD OPTION AVAILABLE

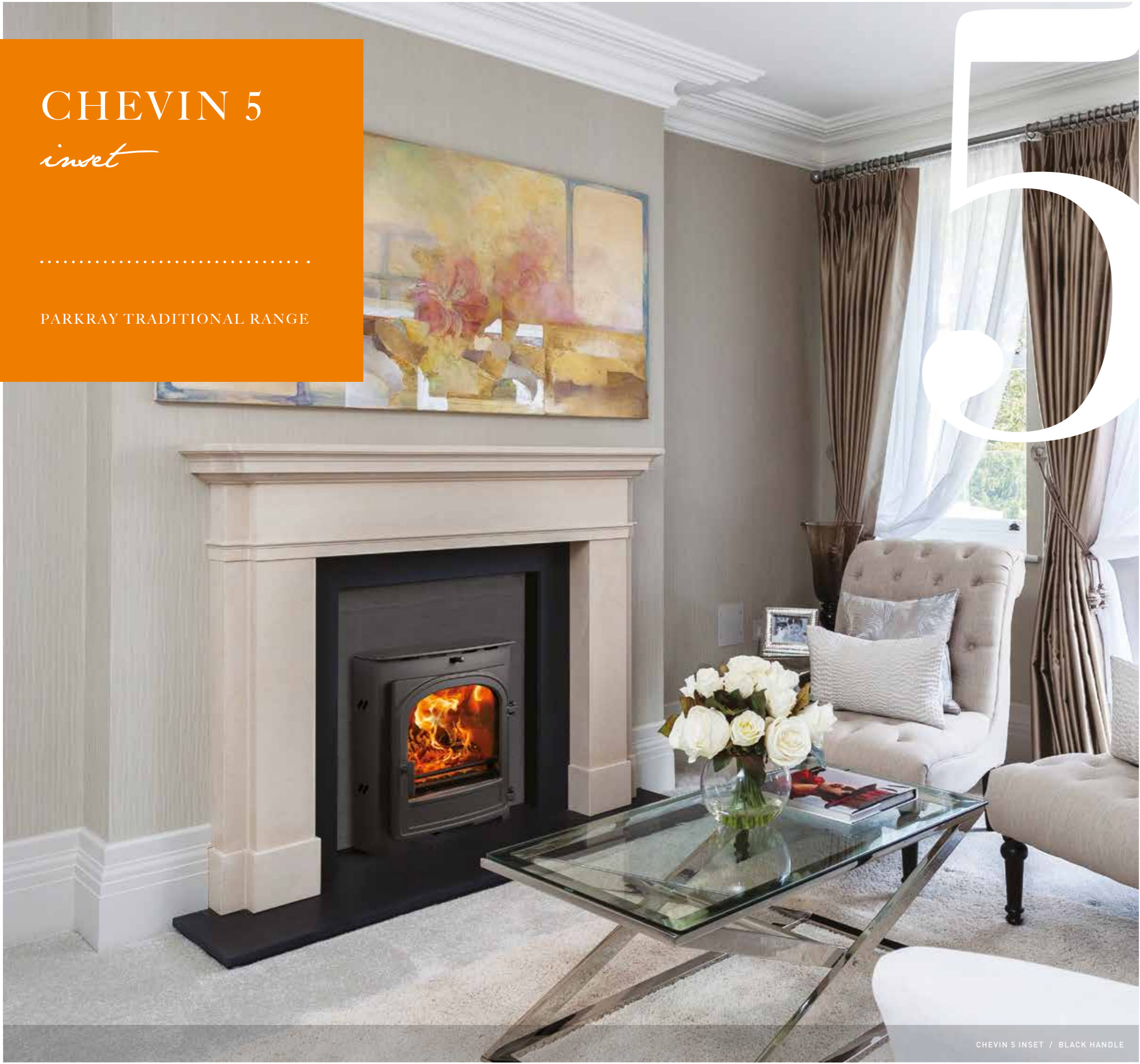
HEAT OUTPUT 14kW TO 25kW

NOMINAL 17.8kW

CHEVIN 5

inset

PARKRAY TRADITIONAL RANGE



WITH A 4.9kW NOMINAL OUTPUT THE CHEVIN 5 INSET IS EASY TO INSTALL AND NEEDS NO EXTRA VENTILATION.

There is no doubt that this stove is one of our best performers and is an excellent contender to replace a gas fire. The Chevin has been DEFRA-approved for Smoke Control Areas.



• STAINLESS STEEL HANDLE • BLACK HANDLE

- DEFRA-APPROVED
- NO AIR BRICK REQUIRED
- TRIPLEBURN® TECHNOLOGY
- HOT AIRWASH SYSTEM
- CONVECTION STOVE
- LARGE VIEWING WINDOW
- HANDLE OPTION
- 5" FLUE COLLAR

HEAT OUTPUT 3.5kW TO 5.5kW

NOMINAL 4.9kW

CHEVIN 5 INSET / BLACK HANDLE



CHEVIN 20B

inset

PARKRAY TRADITIONAL RANGE



TO HELP WITH YOUR CENTRAL HEATING AND WATER DEMANDS WE HAVE DEVELOPED AN INSET STOVE THAT INCORPORATES A BOILER.

Instead of a space consuming boiler, a stunning inset fire drives your central heating and what's more comforting than real flames? With an impressive 10.4kW boiler and a cosy 5.1kW to your room, it's guaranteed to keep you snug all winter.



- STAINLESS STEEL HANDLE
- SINGLE DOOR
- BLACK HANDLE
- DOUBLE DOOR
- BLACK HANDLE
- SINGLE DOOR
- STAINLESS STEEL HANDLE
- DOUBLE DOOR

- HOT AIRWASH SYSTEM
- BOILER OPTION
- LARGE VIEWING WINDOW
- DIRECT AIR OPTION
- HANDLE OPTION

HEAT OUTPUT 5kW TO 6kW

NOMINAL 5.1kW

WRAP-AROUND BOILER
10 RADIATORS



NOMINAL OUTPUT BURNING WOOD
10.7kW to water 5.1kW to room

NOMINAL OUTPUT BURNING SMOKELESS FUEL
10.7kW to water 5.1kW to room

MAXIMUM OUTPUT
12kW (41,000BTU) to water 6kW to room

CHEVIN 20B INSET / DOUBLE DOOR / STAINLESS STEEL HANDLE

aspect *features*

	ASPECT 4 COMPACT	ASPECT 4	ASPECT 5 COMPACT	ASPECT 5	ASPECT 5 SLIMLINE	ASPECT 8 SLIMLINE
DEFRA-approved	Y	Y	Y	Y	Y	Y
Nominal Heat Output (kW)	4.9	4.9	4.9	4.9	4.9	4.9
Heat Output Range (kW)	3-5	3.5-5.5	4-6	4-7	3.5-5.5	4-6
Efficiency on wood (%)	85.5	85.9	81.6	79.1	78.9	79.2
CO emission (at 13% O ₂) (%)	0.48	0.33	0.18	0.17	0.20	0.24
Ventilation (mm ²)	NA	NA	NA	NA	NA	NA
Log lengths (mm)	280	280	350	350	330	350
Minimum hearth thickness required (mm)	Freestanding: 12 Recessed: 125	Freestanding: 12 Recessed: 125	Freestanding: 12 Recessed: 125	Freestanding: 12 Recessed: 125	Freestanding: 12 Recessed: 125	Freestanding: 12 Recessed: 125
Weight (kg)	52	56	70	74	85	98
Clearance Distances to combustible materials (mm)*	Rear: 100 Side: 500	Rear: 200 Side: 600	Rear: 200 Side: 550	Rear: 200 Side: 600	Rear: 200 Side: 250	Rear: 200 Side: 300
Clearance Distances to non-combustible materials (mm)	Rear: 50 Side: 50 Above: 150	Rear: 50 Side: 50 Above: 150	Rear: 50 Side: 50 Above: 150	Rear: 50 Side: 50 Above: 150	Rear: 50 Side: 50 Above: 150	Rear: 50 Side: 50 Above: 150

CONTACT YOUR DEALER FOR INSTALLATION ADVICE Y = YES NA = NOT APPLICABLE

* Distances when installed with a twin walled flue (with the addition of a heat shield)

PLEASE NOTE: A Direct Air option will be available soon

aspect *options*



PLINTH

Aspect stoves can be fitted on a log plinth to raise them up off the floor and have a place to store your wood. They are available at either 150mm or 225mm tall.

STOVE	HEIGHT	DEPTH	WIDTH
ASPECT 4 COMPACT	150 / 225	307	400
ASPECT 4	150 / 225	357	400
ASPECT 5 COMPACT	150 / 225	312	494
ASPECT 5	150 / 225	362	494
ASPECT 5 SLIMLINE	150 / 225	325	550
ASPECT 8 SLIMLINE	150 / 225	328	610

BENCH

The stoves in the Aspect range have the option of being fitted on a bench. There is a choice of two lengths, 800mm and 1,195mm long. Both are at a height of 345mm and a depth of 415mm.



FLUE GATHER BOX

For rear flue installations with limited space.

FLUE DAMPER

This allows a greater controllability on the flue draw (if necessary).

HEAT SHIELD

Top and Rear heat shields are also available for the Aspect range. The Aspect 5 Slimline and Aspect 8 Slimline have a rear heat shield as standard.

CONSORT / DERWENT *features*

	CONSORT 4	CONSORT 5 COMPACT	CONSORT 5	CONSORT 5 SLIMLINE	CONSORT 7	CONSORT 9	CONSORT 9 SLIMLINE	CONSORT 15	DERWENT
DEFRA Approved	Y	Y	Y	Y	Y	NA	Y	NA	Y
Nominal Heat Output (kW)	4.7	4.7	4	4.4	5.4	9	4.9	11.9	4.8
Heat Output Range (kW)	3-5.5	3.5-5.5	3.5-6	3.5-6	4-7.5	6-11	4.5-8	8-15	3.5-5
Efficiency on wood (%)	72.8	76	78	74.1	75.9	78.9	72.4	78.6	76.8
CO emission [at 13% O ₂] (%)	0.27	0.3	0.44	0.32	0.48	0.35	0.25	0.18	0.43
Double door option	NA	NA	NA	S	S	S	S	S	NA
Single door option	S	S	S	O	O	O	O	O	S
Boiler Option	NA	NA	NA	NA	Clip-in	Clip-in or wrap-around	NA	Clip-in or wrap-around	NA
Ventilation (mm ²)	NA	NA	NA	NA	825	2255	NA	4950	NA
Log lengths (mm)	280	330	280	405	380	500	500	500	400
Minimum hearth thickness required (mm)	Freestanding: 12 Recessed: 125	Freestanding: 12 Recessed: 125	Freestanding: 12 Recessed: 125	Freestanding: 12 Recessed: 125	Freestanding: 12 Recessed: 125	Recessed: 125	Freestanding: 12 Recessed: 125	Recessed: 125	Recessed: 125
Weight (kg)	70	99	100	92	101	120	120	145	75
Clearance Distances to combustible materials (mm)	Rear: 650 Side: 400	Rear: 750 Side: 350	Rear: 650 Side: 400	Rear: 650 Side: 400	Rear: 650 Side: 400	Rear: 1100 Side: 700	Rear: 750 Side: 450	Rear: 1100 Side: 650	Rear: 750 Side: 400
Clearance Distances to non-combustible materials (mm)	Rear: 50 Side: 50 Above: 150	Rear: 50 Side: 50 Above: 150	Rear: 50 Side: 50 Above: 150	Rear: 50 Side: 50 Above: 150	Rear: 50 Side: 50 Above: 150	Rear: 50 Side: 50 Above: 150	Rear: 50 Side: 50 Above: 150	Rear: 50 Side: 150 Above: 150	Rear: 50 Side: 50 Above: 150

CONTACT YOUR DEALER FOR INSTALLATION ADVICE Y = YES O = OPTION NA = NOT APPLICABLE S = STANDARD

CONSORT / DERWENT *options*

CANOPY

Select Consort stoves are available with a low or high canopy option. Contact your dealer for more details.

FLUE GATHER BOX

For rear flue installations with limited space.

FRONT EXTENSION

The front extension enables you to place more fuel into your stove.

FLUE DAMPER

This allows a greater controllability on the flue draw (if necessary).

STOVE	CANOPY LOW	CANOPY HIGH
CONSORT 4	686	NA
CONSORT 5 COMPACT	NA	NA
CONSORT 5	675	770
CONSORT 5 SLIMLINE	700	810
CONSORT 7	704	840
CONSORT 9	765	870
CONSORT 9 SLIMLINE	772	921
CONSORT 15	853	974



CONSORT DS / DD *features*

	Consort 4 DS Single Depth	Consort 7 DS Single Depth	Consort 9 DS Single Depth	Consort 15 DS Single Depth	Consort 4 DS Double Depth	Consort 7 DS Double Depth	Consort 9 DS Double Depth	Consort 15 DS Double Depth
DEFRA Approved	NA	NA	NA	NA	NA	NA	NA	NA
Nominal Heat Output (kW)	5.5	6.5	8.9	11.6	10.6	10.5	11.4	17.8
Heat Output Range (kW)	4-6	5-8	6-11	8-15	6-11	8-13	8-18	14-25
Efficiency on wood (%)	72.7	74.5	74.3	75.7	75.4	75.7	79	71.1
CO emission (at 13% O ₂) (%)	0.46	0.45	0.44	0.22	0.64	0.54	0.36	0.35
Double door option	NA	S	S	S	NA	S	S	S
Single door option	S	O	O	O	S	O	O	O
Boiler Option	NA	NA	NA	NA	NA	NA	NA	NA
Ventilation (mm ²)	225	825	2145	4565	2750	3025	3520	7040
Log lengths (mm)	280	380	500	500	280	380	500	500
Minimum hearth thickness required (mm)	Freestanding: 12 Recessed: 125	Recessed: 125	Recessed: 125	Recessed: 125	Recessed: 125	Recessed: 125	Recessed: 125	Recessed: 125
Weight (kg)	90	145	140	165	126	163	230	270
Clearance Distances to combustible materials (mm)	Side: 150	Side: 900	Side: 500	Side: 700	Side: 900	Side: 900	Side: 400	Side: 500
Clearance Distances to non-combustible materials (mm)	Side: 50 Above: 150	Side: 50 Above: 150	Side: 50 Above: 150	Side: 50 Above: 150	Side: 50 Above: 150	Side: 50 Above: 150	Side: 50 Above: 150	Side: 50 Above: 150

CONTACT YOUR DEALER FOR INSTALLATION ADVICE Y = YES O = OPTION NA = NOT APPLICABLE S = STANDARD

CHEVIN *features*

	CHEVIN 5 INSET	CHEVIN 20B INSET
DEFRA Approved	Y	NA
Nominal Heat Output (kW)	4.9	5.1
Heat Output Range (kW)	3.5-5.5	5-6
Efficiency on wood (%)	77.1	69.9
CO emission (at 13% O ₂) (%)	0.28	0.28
Double door option	NA	O
Single door option	S	S
Boiler Option	NA	S
Ventilation (mm ²)	NA	550
Log lengths (mm)	235	250
Minimum hearth thickness required (mm)	Recessed: 125	Recessed: 125
Weight (kg)	117	128
Clearance Distances to combustible materials (mm)	Top of fire surround 200 Side of fire surround 150	Top of fire surround 275 Side of fire surround 200

CONSORT DS / DD *options*

FRONT EXTENSION

This front extension enables you to place more fuel into your stove.

FLUE DAMPER

This allows a greater controllability on the flue draw (if necessary).

CHEVIN *options*

HANDLE

The Inset stoves are available with an option of black or stainless steel handles with matching fuel retainer bars.

DIRECT AIR

The Chevin 20B Inset is available with an optional Direct Air kit.

PARKRAY TRIPLEBURN®

technology

CONSORT STOVES INCORPORATE THE PARKRAYTRIPLEBURN® TECHNOLOGY. THIS MEANS THAT THE STOVES ARE MORE ECO-FRIENDLY AND EFFICIENT THAN CONVENTIONAL STOVES, CONTRIBUTING TO A CLEANER ENVIRONMENT.

HOT AIRWASH

THE AIRWASH ENSURES THE GLASS IS KEPT CLEAN

The airwash is achieved by air being drawn into the top of the stove and heated in the central air chamber before being directed down behind the glass door, creating a screen between the fire and the glass. Smoke or combustion particles do not come into contact with the glass, leaving it clear.

WOODBURNING

OPTIMUM WOODBURNING CONDITIONS

For efficient woodburning the hot 'airwash' is directed down the stove door and into the heart of the fire. This ensures complete combustion which helps to keep the chimney clean. All stoves need a deep bed of ash to build up the optimum conditions for burning wood.

SOLID FUEL

OPTIMUM SOLID FUEL BURNING CONDITIONS

When burning smokeless fuel and for easy lighting of the Consort stoves the grate can be changed to the open position by a single turn of the handle. Air can then be directed under the open grate and into the heart of the fire – the optimum conditions for burning solid fuel. The Aspect range with a static grate is able to burn wood and solid fuel with a single easy air control at the end.

FAQs

HOW MUCH SPACE WILL MY STOVE NEED?

With all our freestanding units it is safe to install with a clearance of 2" (50mm) either side and above the stove to non-combustible material. However for optimum performance and heat output we recommend clearance of 6" (150mm). Behind the stove there should be a minimum clearance of 2" (50mm) however we recommend 4" (100mm) to enable access to the Tertiary Air inlet.

For all our units the hearth should extend 300mm in front of the appliance (from the door opening).

WHAT IS A NOMINAL HEAT OUTPUT?

The nominal output is the output achieved under specific test conditions by the independent test laboratory. The stoves tend to be operated with the air controls set at less than maximum and with relatively modest fuel loads. We recognise that end users are unlikely to operate the stoves in this way and therefore we carry out internal testing to suggest a reasonable Heat Output Range that the customer should achieve without over firing the unit.



PARKRAY TRIPLEBURN® *technology*



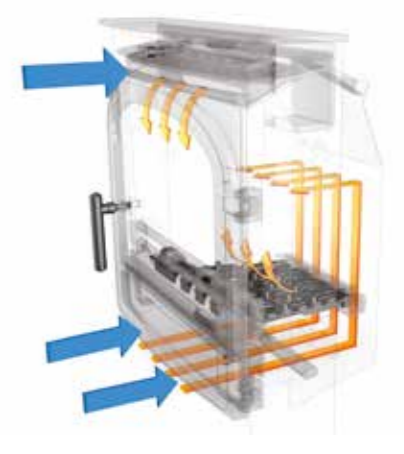
ASPECT AIRFLOW



CONSORT / DERWENT AIRFLOW



INSET AIRFLOW



TRIPLEBURN® TECHNOLOGY

The three streams of air cause an incredibly efficient burning of the fuel, which results in an increased heat output, less smoke and a cleaner environment. See diagrams above.

EXCEPTIONALLY EFFICIENT

Due to the Parkray Tripleburn® technology, all stoves in the Parkray range burn exceptionally efficiently and cleanly.

FROM WOOD TO MULTIFUEL WITH A SINGLE MOVEMENT

The integral grate in the Consort range can be changed from wood setting to multifuel, with the cold-handled riddling tool.

DUST FREE, SAFE AND EASY RIDDLING

By simply moving the riddling tool backwards and forwards, the stove riddles safely with a minimum of effort. This is undertaken with the doors closed and is completely dust free. Only available on the Consort range.

INTERCHANGEABLE FLUE OUTLETS

All the single-sided free standing stoves in the Parkray range can be flued from either the top or the rear of the stove.

EASY ACCESS FOR CHIMNEY SWEEPING

The stoves feature a removable throat plate, giving full and easy access for sweeping the chimney*.

INTERNAL LINING SYSTEM

The internal lining system maximises the firebox temperature, ensuring complete combustion

COLD-HANDLED RIDDLING TOOL

The cold-handled riddling tool can be used for opening and closing the doors, riddling the grate, grate adjustment and easy removal of the ash pan. Only available on the Consort range.

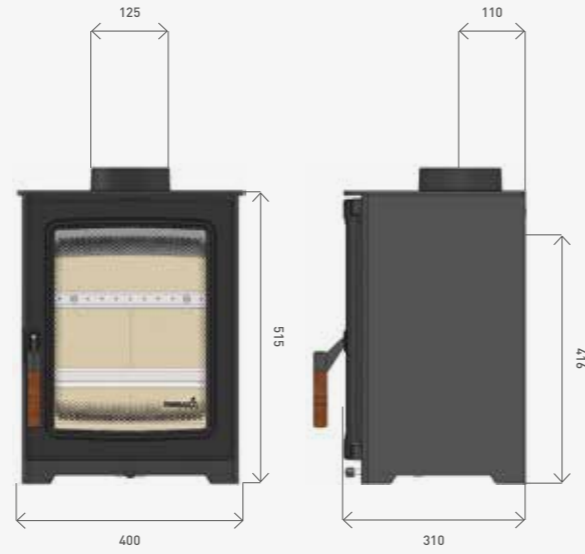
THERMOSTAT

An optional thermostat is available on central heating models with wrap-around boilers.

*Not available for clip-in boilers

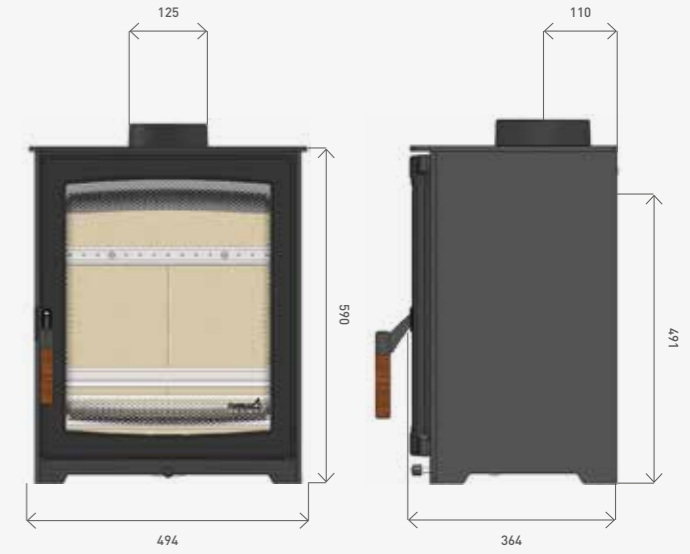
ASPECT 4
COMPACT

4



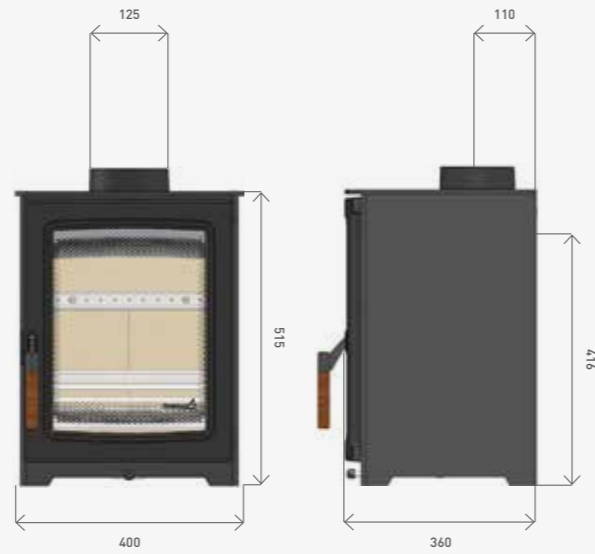
ASPECT 5

5



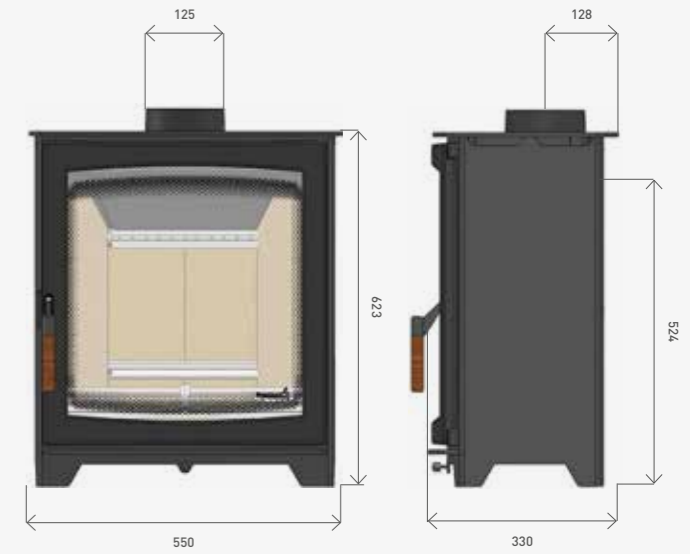
ASPECT 4

4



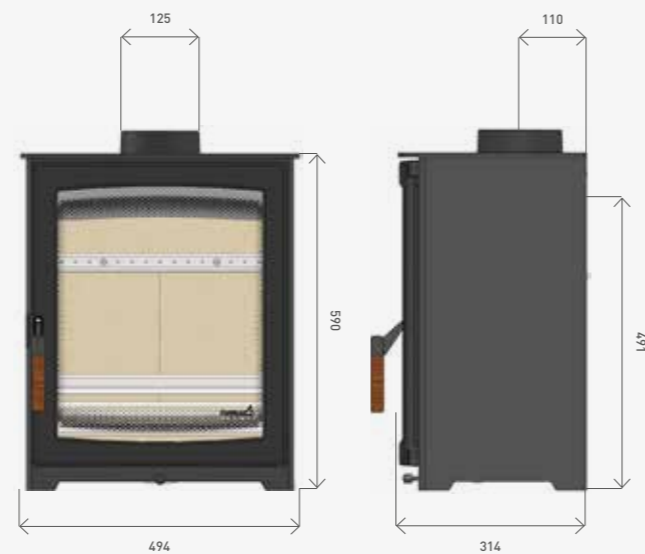
ASPECT 5
SLIMLINE

5



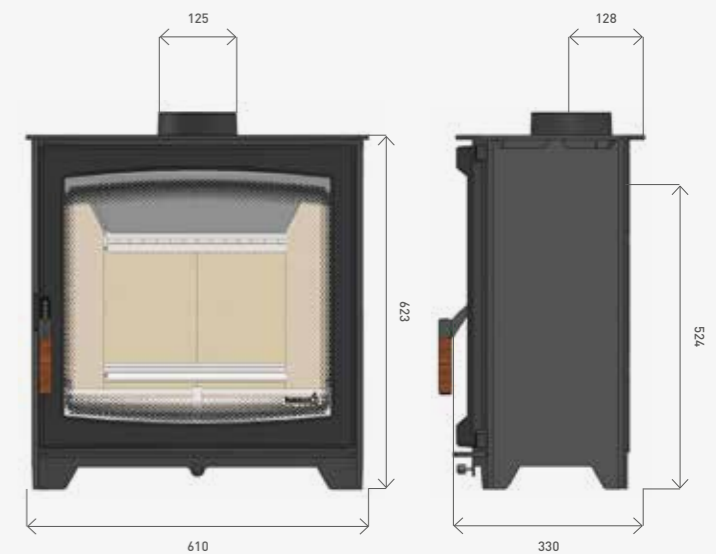
ASPECT 5
COMPACT

5



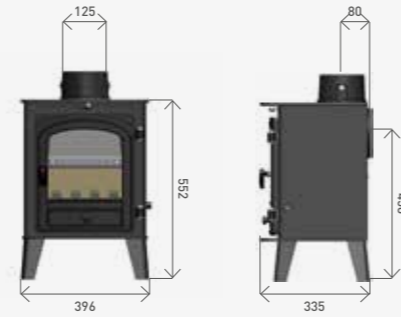
ASPECT 8
SLIMLINE

8



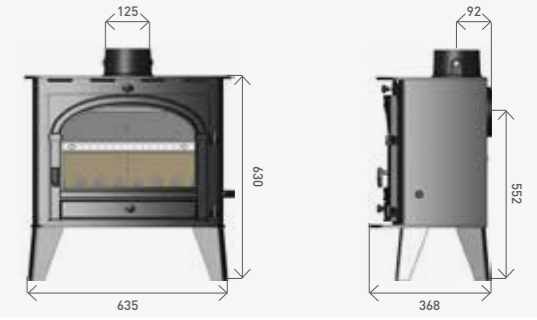
CONSORT 4

4



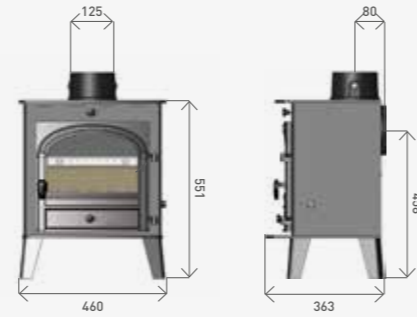
CONSORT 9
SLIMLINE

9



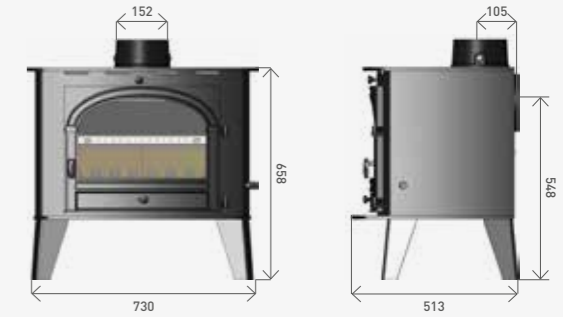
CONSORT 5
COMPACT

5



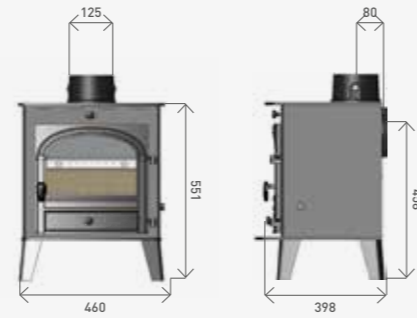
CONSORT 15

15



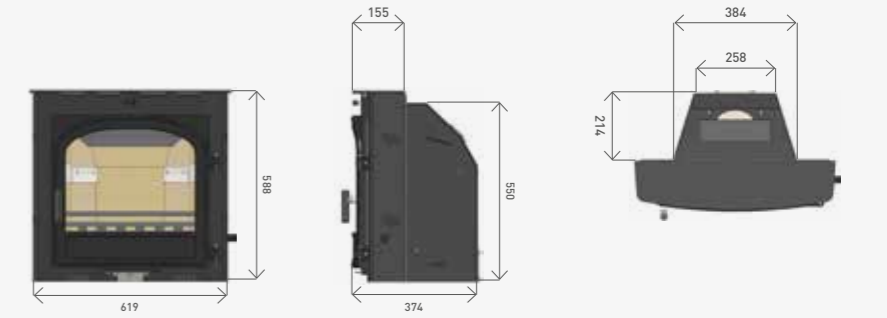
CONSORT 5

5



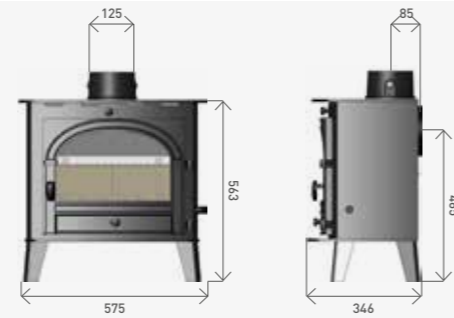
CHEVIN 5
INSET

5



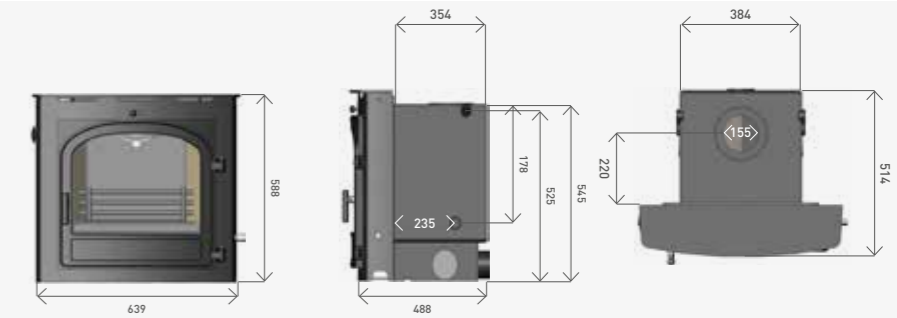
CONSORT 5
SLIMLINE

5



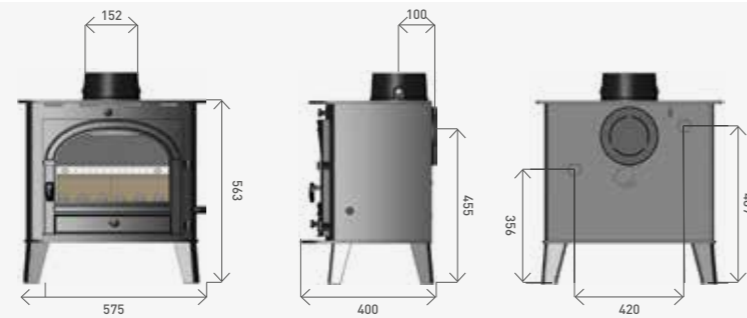
CHEVIN 20B
INSET

20



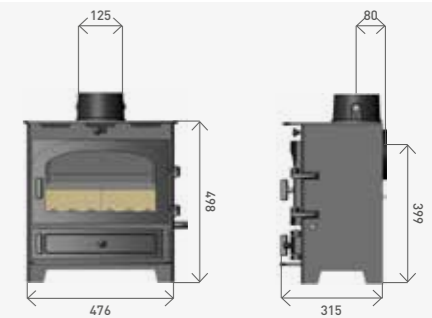
CONSORT 7

7



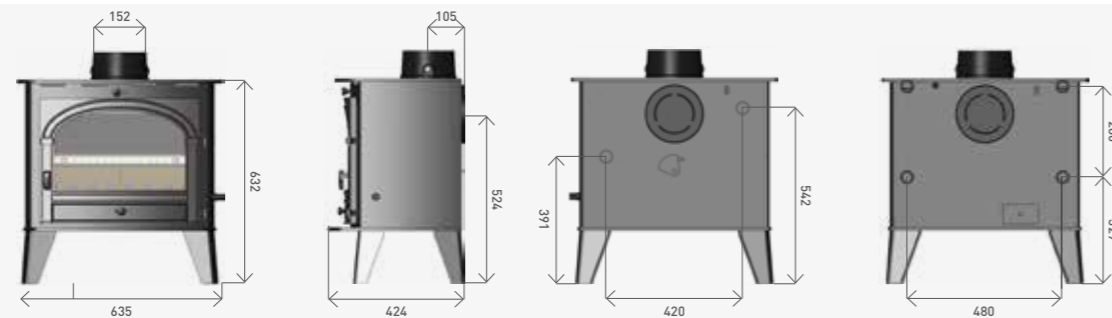
DERWENT 5

5



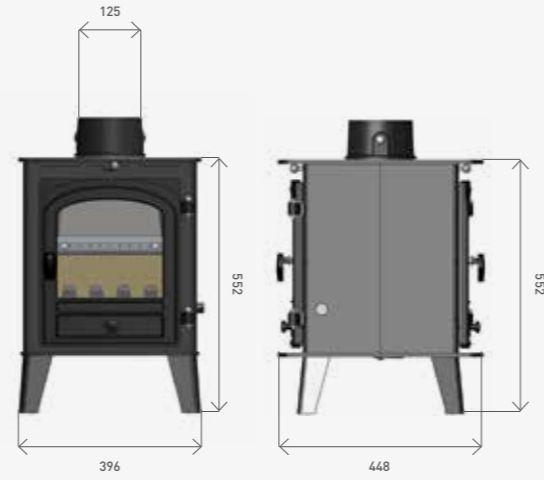
CONSORT 9

9



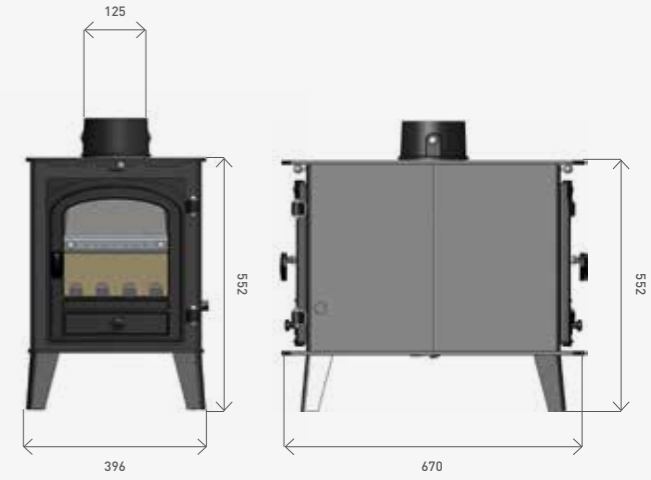
CONSORT 4
DS SD

4



CONSORT 4
DS DD

4



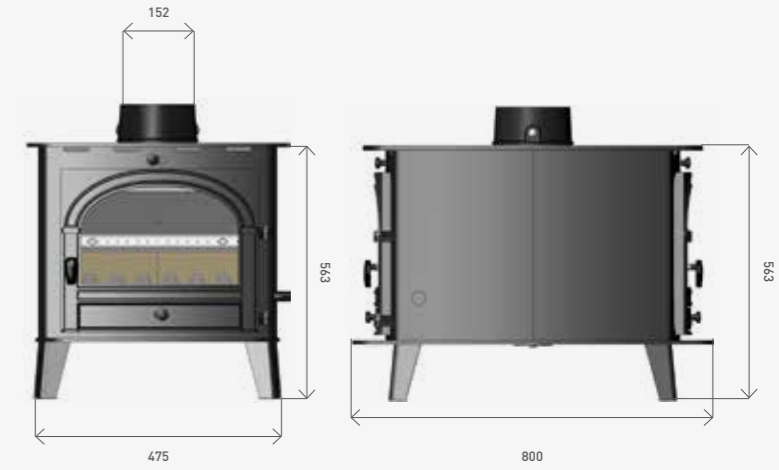
CONSORT 7
DS SD

7



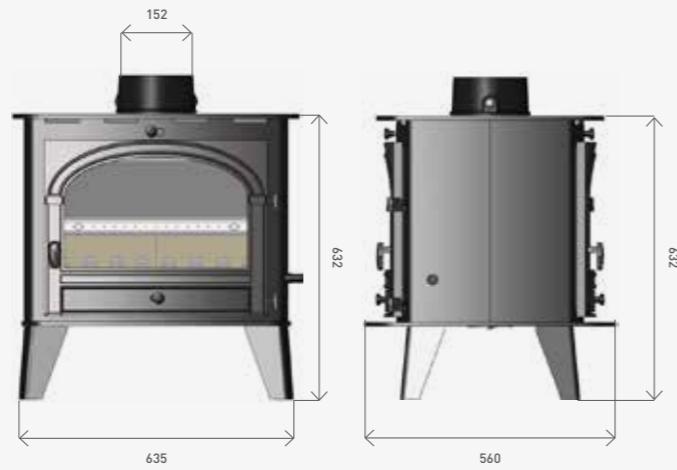
CONSORT 7
DS DD

7



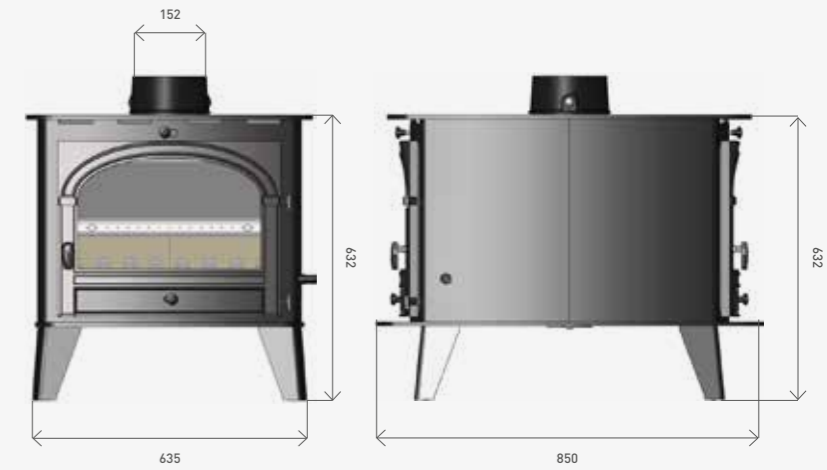
CONSORT 9
DS SD

9



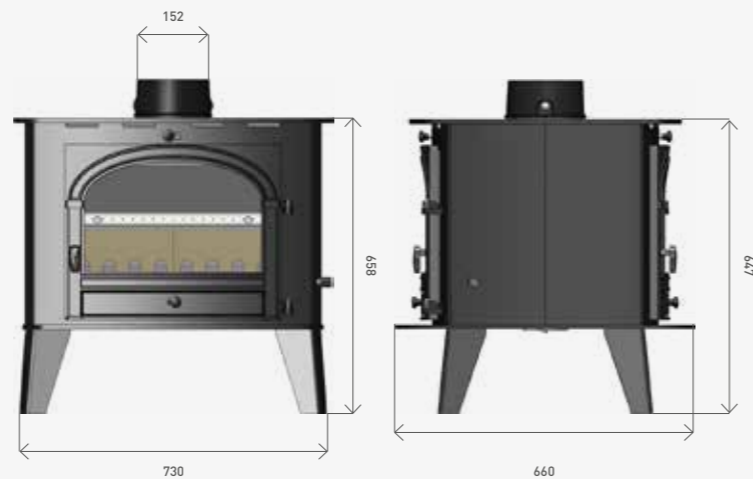
CONSORT 9
DS DD

9



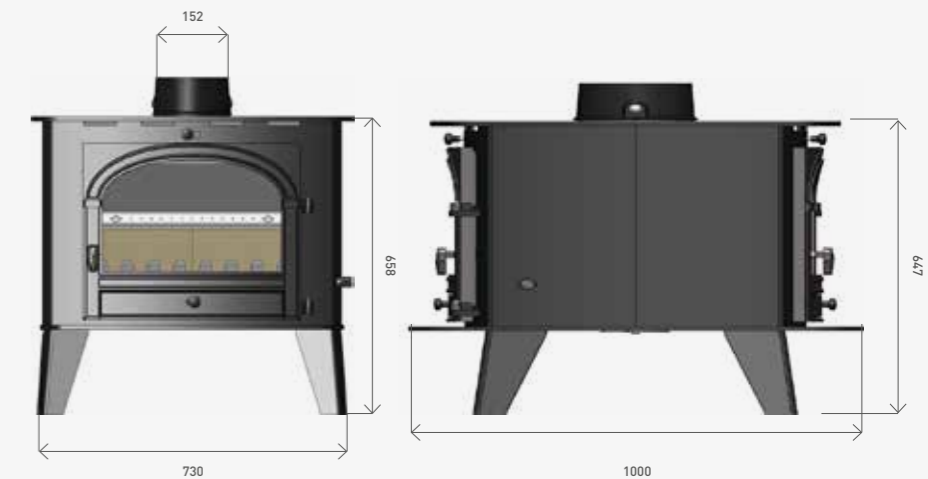
CONSORT 15
DS SD

15



CONSORT 15
DS DD

15





8 EMPEROR WAY EXETER DEVON EX1 3QS

INFO@HUNTERSTOVES.CO.UK WWW.HUNTERSTOVES.CO.UK

