

DEFRA
APPROVED



Herald



Living Design

The heart of the home

Approved for Smoke Control Areas*



hunterstoves
GROUP



Hunter Stoves Group Warranty

Any appliance bought through the showroom of an authorised Hunter Stoves Group dealership will automatically be covered by our standard 2 year conditional guarantee. However this standard 2 year warranty can be extended to a 10 year conditional warranty dependent on the model type (5 years- Boiler models, 10 years- Room heater). For details of the warranty specifications please visit our website www.hunterstoves.co.uk for full Terms and Conditions.

Herald Stoves are built on over 40 years of expertise – and equipped to face the future.

Whichever model you choose you can now enjoy better performance, more options and a cleaner environment with our DEFRA Approved Stoves.

Approved for Smoke Control Areas










If you live in a designated Smoke Control Area, the Clean Air Act prevents you from emitting smoke from your chimney – with offenders facing a fine of up to £1000. This means you're usually only able to burn authorised smokeless fuel. However, our fires are not like ordinary stoves.

They smoke so little that DEFRA has declared our stoves exempt from the Clean Air regulations.

This means you can use our approved fires to burn wood, even if you live in a Smoke Control Area. The built-in technology ensures that emissions are consistently low. We're delighted to have met the stringent demands of the Department for the Environment, Food & Rural Affairs. If you're in a Smoke Control Area, you'll be equally delighted with the results.

Contents

Contemporary, traditional,
double or single door?
Style your stove to suit your home.

Kestrel 5	page 2	
Compact 5	page 3	
Telford 5 Inset	page 4	
Telford 8 Inset	page 5	
Hawk 3	page 6	
Hawk 4	page 7	
Herald 4	page 8	
Herald 5 Slimline	page 9	
Herald 6	page 10	
Herald 8 Slimline	page 11	
Low Output Inglenook	page 12	
Hawk 4 Double Sided	page 13	
Herald 6 Double Sided	page 14	
Herald 6 Boiler Option	page 15	
FAQs	page 15	
Living Design range	page 16	
Cleanburn technology	page 17	
Technical Key	page 18 - 19	
Options	page 20	
Warranty	page 21	

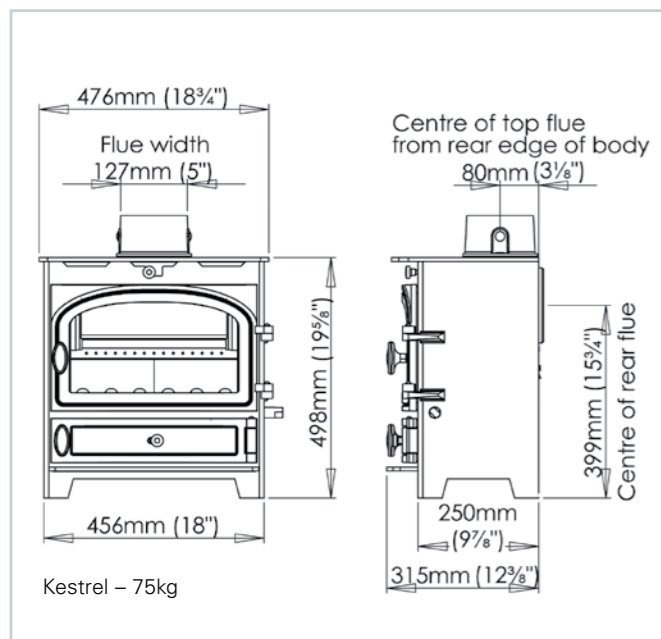
**DEFRA
APPROVED**



**DEFRA
APPROVED**



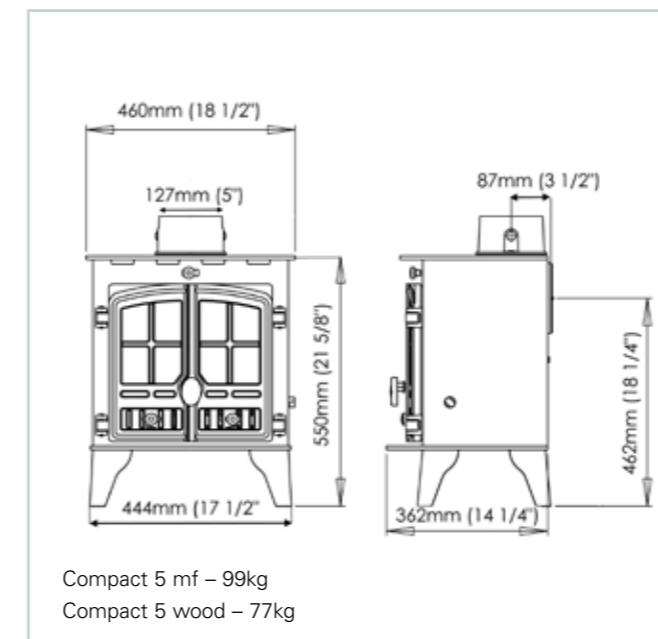
Kestrel 5



Heat Output: 3.5kW - 5.5kW
Nominal: 4.8kW (no airbrick required)

Super-efficient and supremely stylish, the Kestrel brings an elegant warmth to your home. This stove is neatly proportioned and simply styled for a look that suits any kind of decor. The clean design is matched with a clean nature: a hot airwash keeps the glass clean and clear. Once installed, the only impact the Kestrel 5 will have on your life is a heart-warming one. So pile it with logs or other approved fuel and bask in a surprising blaze of up to 5.5kW.

Compact 5



Can be fitted on a 12mm hearth if not recessed



Heat Output: 3.5kW - 5.5kW
Nominal: 4.7kW (no airbrick required)

The Compact 5 is perfect for small and cosy rooms. Just like its ancestors, this one has plenty of traditional charm and all the usual options. It is compact, but no less complete: you'll enjoy a magnificent heat output range of up to 5.5kW thanks to the built-in Tripleburn technology, designed to get the best performance from your fuel. Ready to think big? Squeeze in the deceptively small Compact 5 and light up the room.

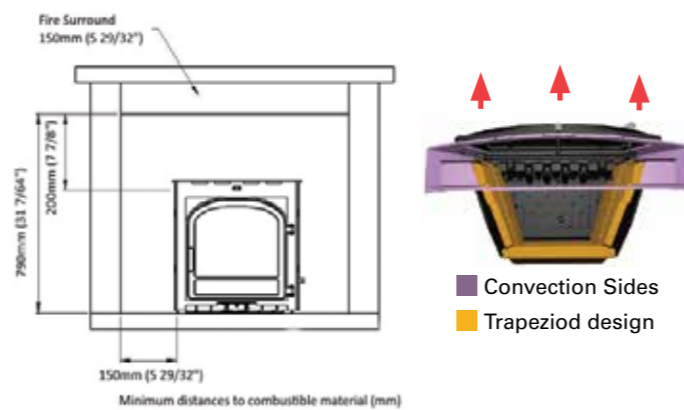
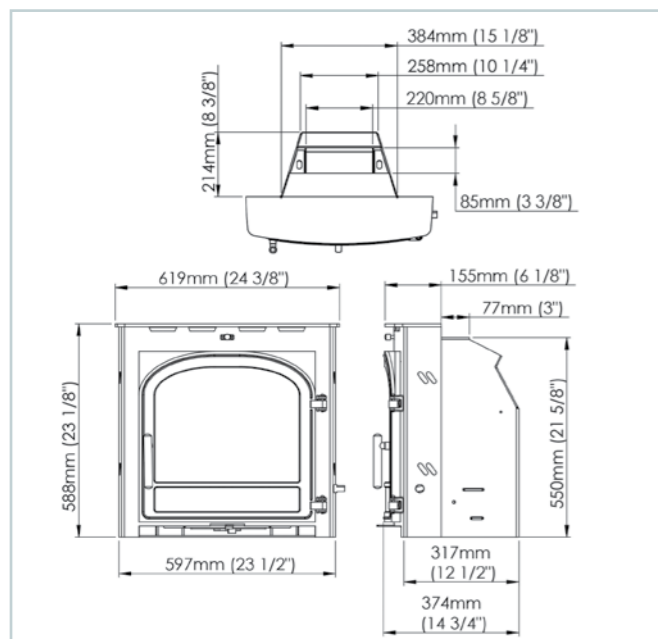
**DEFRA
APPROVED**



**DEFRA
APPROVED**



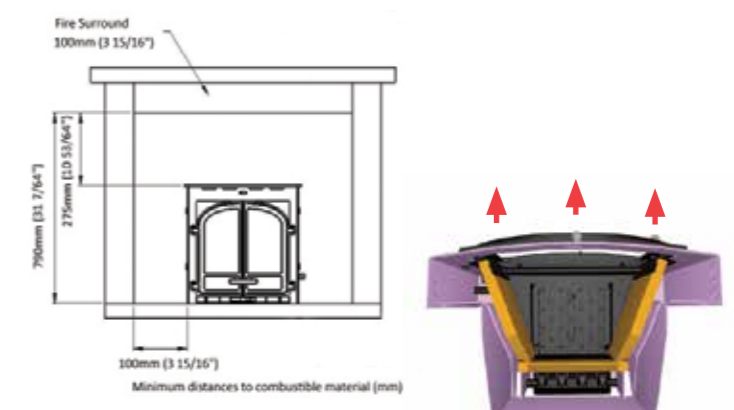
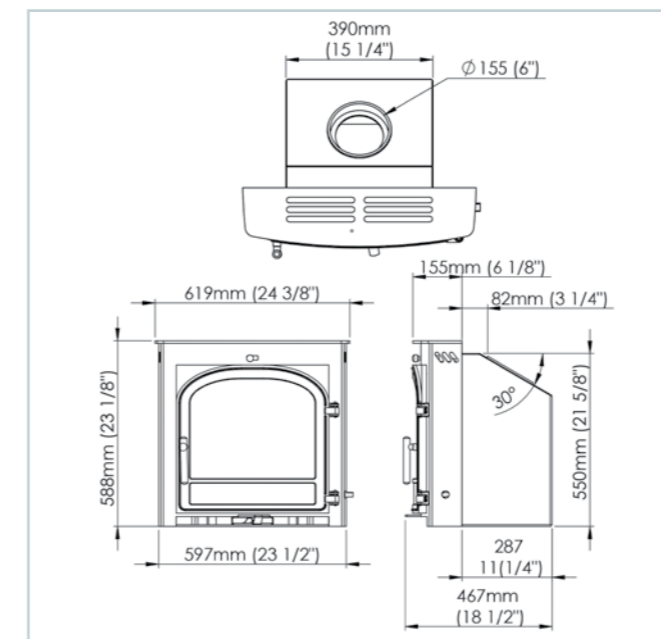
Telford 5 Inset



Heat Output: 3kW - 5kW
Nominal: 4.9kW
(no airbrick required)

Style and efficiency sums up the new Telford 5, it's our most economical inset yet. It not only delivers an impressive 3-5kW output but also achieves 77.1% efficiency when burning wood. Installation couldn't be simpler and there's no air brick necessary. We've really put the Telford 5 through its paces in lab tests. DEFRA have recognised this with its stamp of approval meeting their stringent criteria for use in Smoke Control Areas.

Telford 8 Inset



Heat Output: 5kW - 8kW
Nominal: 6kW
Flue liner is required an adapter must be used
Can be fitted without a chair brick.

The new Telford 8 Inset has retained its traditional styling but in terms of performance it's in a whole new dimension. Rigorous testing has ensured that the Telford 8 provides optimum efficiency burning wood; the Cleanburn technology internal air flow burns wood and other approved fuels evenly and economically.



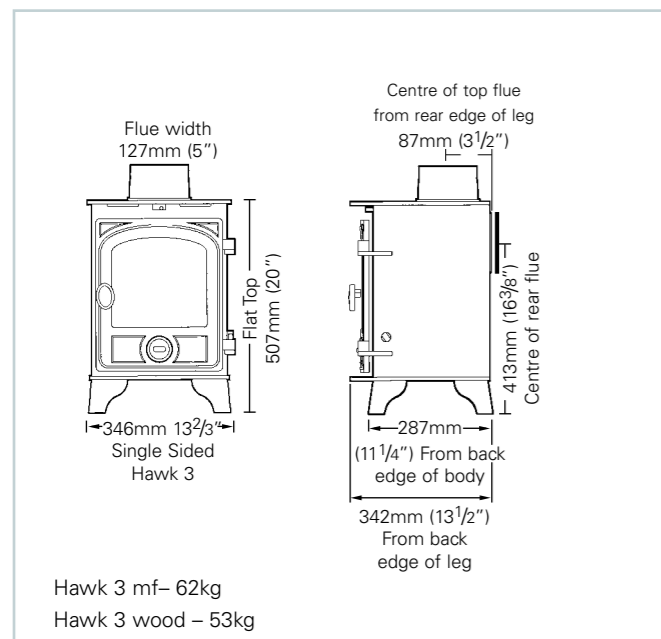
▲ Hawk 3 Traditional door



▲ Hawk contemporary door



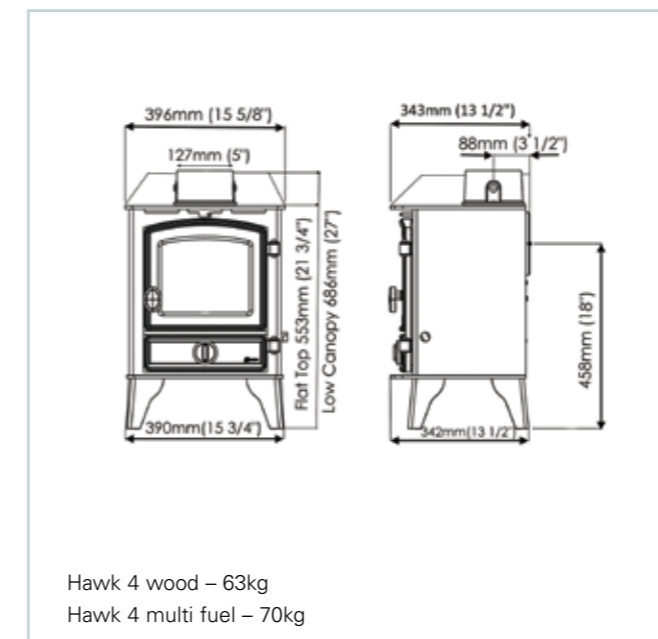
Hawk 3



Heat Output: 2.5kW - 4.5kW
Nominal: 4.2kW
(no airbrick required)

The Hawk 3 can be squeezed into the smallest places – but this neat little stove does not compromise on heat output. There's no skimping on design: with both traditional and contemporary door styles it boasts all the features of our larger stoves; including a cool-touch riddling handle and innovative Cleanburn technology. This may be our smallest model, but it is definitely feisty.

Hawk 4



Heat Output: 3.5kW - 5.5kW
Nominal: 4.7kW
(no airbrick required)

Looking for a room heater that's economic to run without compromising on style? Consider the Hawk 4. It'll deliver a generous output of 3.5-5.5kW and it's simple to install in the smallest of spaces. We've tested it extensively in our labs to make sure it can go the distance reaching 72.8% efficiency, keeping you and your family snug and cutting down on those heating bills.

Tested at over
78% Efficiency

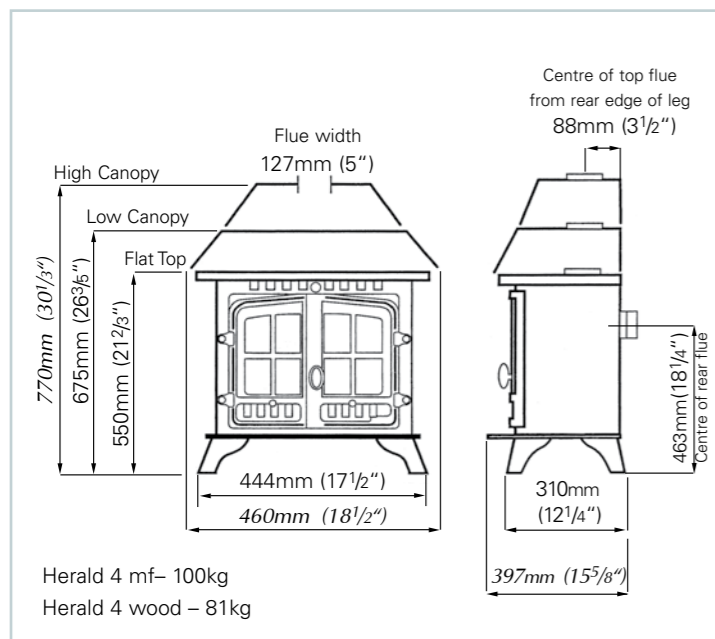
**DEFRA
APPROVED**



**DEFRA
APPROVED**

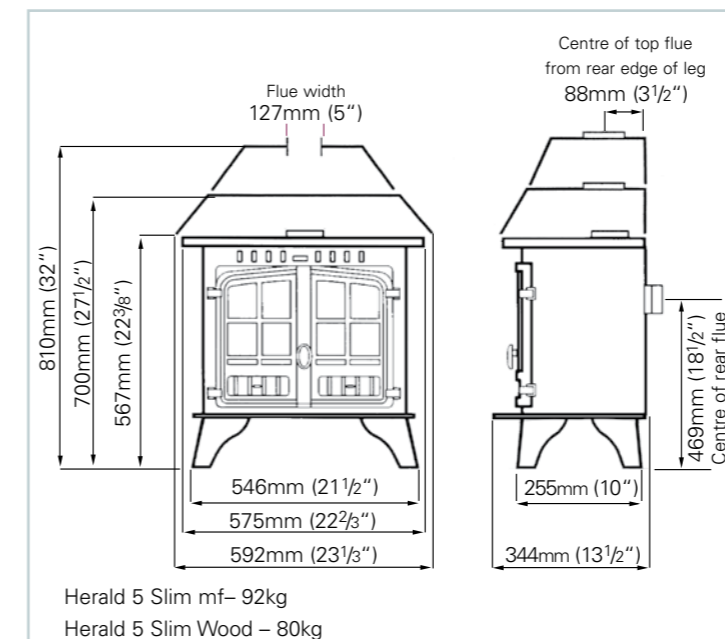


Herald 4



Heat Output: 3.5kW - 6kW
Nominal: 4kW
(no airbrick required)

Herald 5 Slimline



Heat Output: 3.5kW - 6kW
Nominal: 4.4kW
(no airbrick required)

Aspiring interior decorators swoon over the elegant design and stylish details of the Herald 4. Yes, it has plenty of character, but don't be too distracted by its good looks. Choose the Herald 4 for its efficiency, its capacity, and its convenience. It takes logs or smokeless fuel and provides a heat output of 6kW – our Cleanburn technology means the heat is directed into your room, not your atmosphere.

There's something elementary about making a fire, no wonder the roaring flames become so hypnotic. The Herald 5 Slimline is designed for those shallower fireplaces, and with a 5" flue for ease of installation our designers have thought of everything. Choose your doors or add an optional canopy; the Herald 5 can be as traditional or as simple as you like. The Herald 5 Slimline incorporates our Cleanburn technology and a hot airwash to keep the glass clean and clear. Now it's all yours to customise for your home.

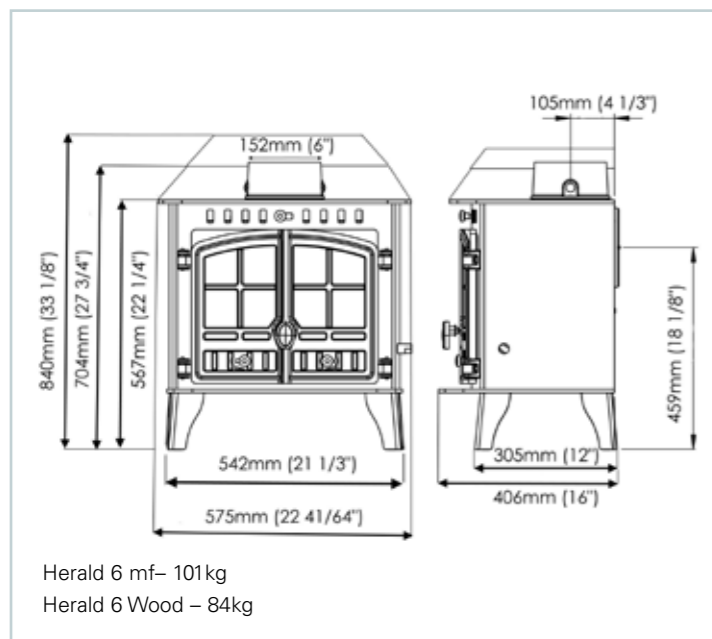
**DEFRA
APPROVED**



**DEFRA
APPROVED**



Herald 6



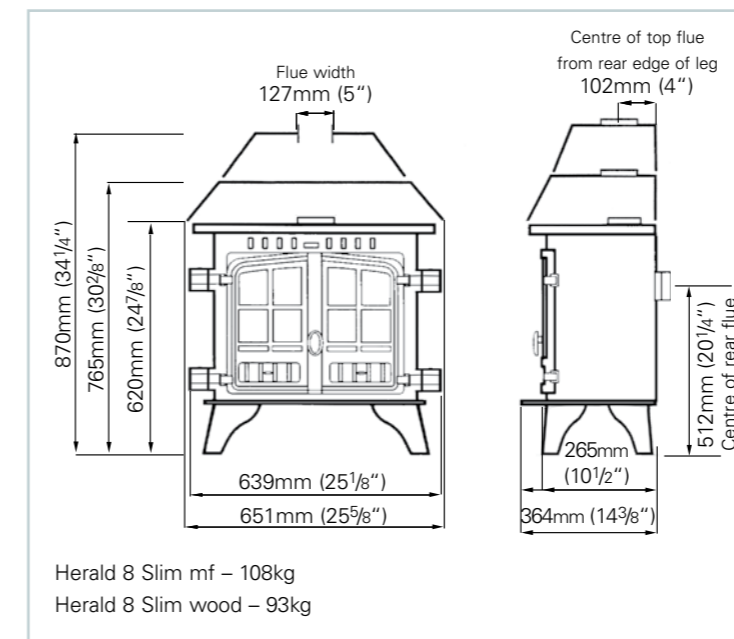
See page 15 for
Boiler option



Heat Output: 4kW - 7.5kW
 Nominal: 6.5kW

Fully tested at an independent laboratory on both wood and smokeless fuel.

Herald 8 Slimline



Heat Output: 4.5kW - 8kW
 Nominal: 5kW
 (no airbrick required)

The Herald 6 is the envy of its competitors. That's because not only has it been fully independently tested on both wood and smokeless fuel, but it gives an impressive output of up to 7.5kW, which is very high for its size. The Herald 6 incorporates all the features of the Herald range and is available in plenty of options, giving you flexibility to design a stove that will suit your home. Choosing the door is just your first step; next decide whether you'd like the optional canopy or back boiler*.

With its slimline design not only do you have outstanding characteristics, this high-powered model now comes with only a 5" flue for easy installation and delivers outstanding performance. Designed with less depth, the stove can still accommodate logs of up to 19 3/4" long. The Cleanburn system ensures that the fuel gives its utmost, driving heat directly into the room. A hot airwash keeps smoke from the glass window. Delivering a heat output of up to 8kW, the multi-fuel Herald 8 Slimline is all give and no take.

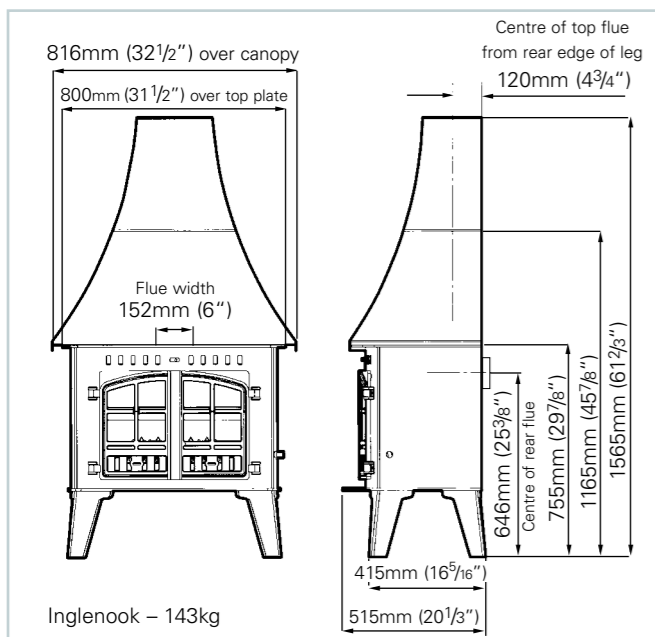
* Boiler Model not DEFRA approved.

Visit our website
or ask your dealer for
the Herald Superior
Choice Catalogue
for the High Output
Inglenook Stove



▲ Hawk contemporary door

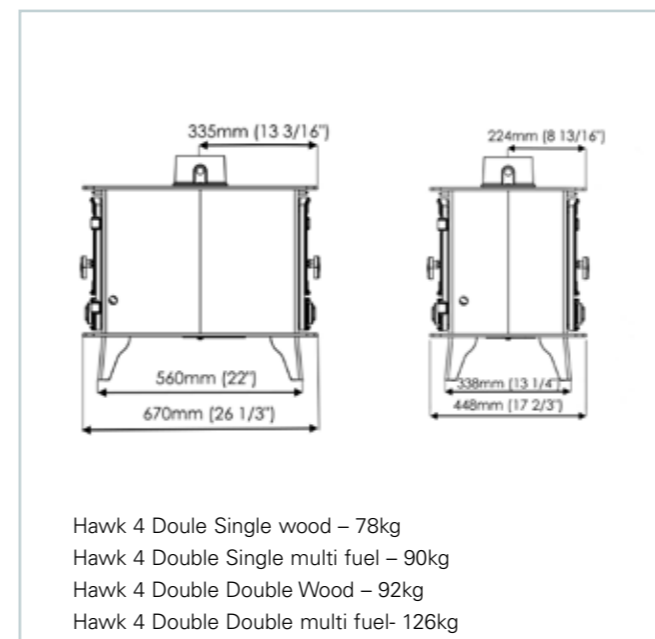
Low Output Inglenook



Heat Output: 5kW - 7.5kW
Nominal: 7.3kW

Choose the Inglenook for a traditional fire in the heart of your home. With its unique canopy options and wide footprint, this stove is as practical as it is beautiful. Producing a heat output of between 5kW and 7.5kW, it's ideal for the larger fireplace in a fairly small room and is designed to burn logs and smokeless fuel cleanly and efficiently. Choose to have it with or without a canopy to create your perfect fireplace. Just the place to curl up for a bedtime story.

Hawk 4 Double Sided



◀ Hawk traditional Door

Heat Output: Double Single 4kW - 6kW
Heat Output: Double Double 6kW - 11kW
Nominal Double Single : 6kW
Nominal Double Double 10.6kW

The Hawk 4 Double Sided stoves are perfect for drawing people in from the cold. Choose a single depth or double depth and you will be thrilled with the outputs achievable. Carrying all the features the Herald range; a hot airwash system and our innovative Cleanburn technology the Hawk 4 Double Sided Stoves will not disappoint.



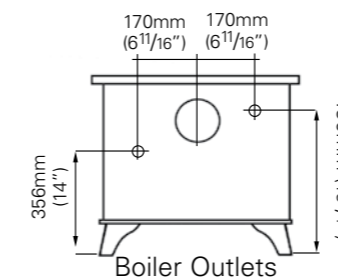
Heat Output: Double Single 5kW - 8kW
 Heat Output: Double Double 8kW - 13kW
 Nominal: Double Single 6.5kW
 Nominal: Double Double 10.5kW

Herald 6 Double Single mf – 145kg
 Herald 6 Double Single wood – 106kg
 Herald 6 Double Double mf – 185kg
 Herald 6 Double Double wood – 163kg



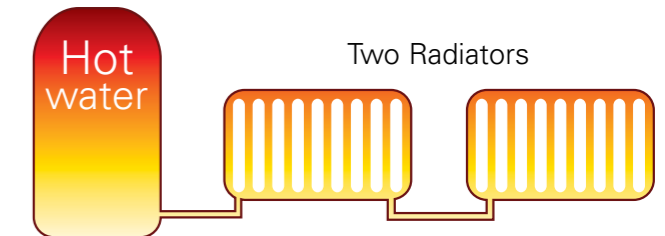
Herald 6 Boiler Option Single Sided

Stove dimensions as above.



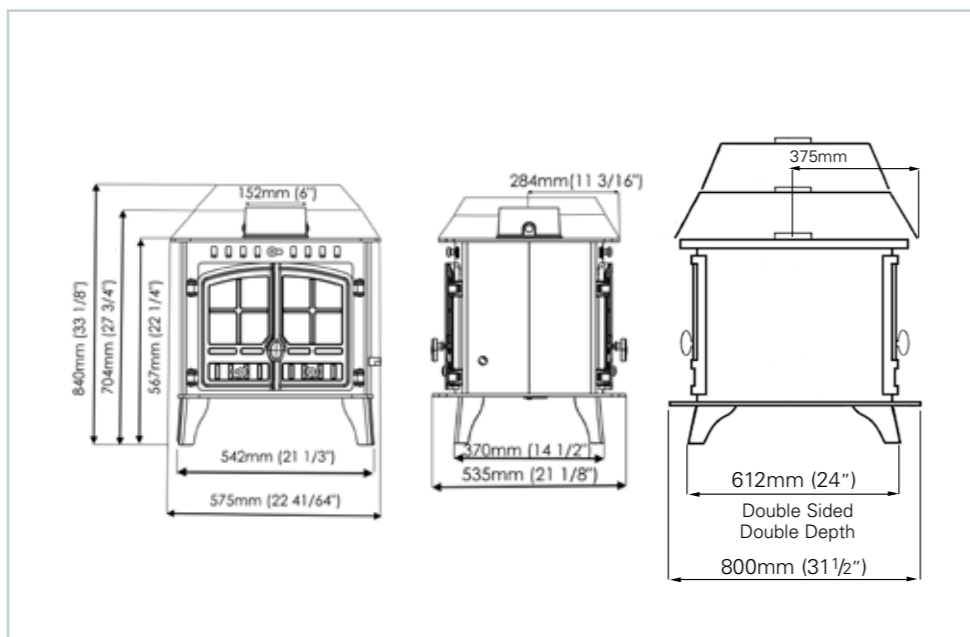
Clip in boiler provides up to 13,600BTU output to water and 1.5kw to room dependent on fuel load and installation parameters

Boiler Option Herald 6 only



NB. Please note that all weights are approximate and could vary slightly. Boiler Model not DEFRA approved.

Herald 6 Double Sided



Open on both sides the Herald 6 Double Sided radiates heat throughout the space, transforming your environment with flickering firelight. Choose either a single depth or double depth and customise your choice with a canopy, single door or double door and with or without crosses.

Frequently Asked Questions

HOW MUCH SPACE WILL MY STOVE NEED?

With all our freestanding units it is safe to install with a clearance of 2" (50mm) either side and above the stove to NON Combustible material. However for optimum performance and heat output we recommend a clearance of 6" (150mm). Behind the stove there should be a minimum clearance of 2" (50mm) however we recommend 4" (100mm) to enable access to the Tertiary Air inlet.

For all our units the hearth should extend 300mm in front of the appliance (from the door opening)

WHAT IS A NOMINAL HEAT OUTPUT?

The nominal output is the output achieved under specific test conditions by the independent test laboratory. The stoves tend to be operated with the air controls set at less than maximum and with relatively modest fuel loads. We recognise that end users are unlikely to operate the stoves in this way and therefore we carry out internal testing to suggest a reasonable Heat Output Range that the customer should achieve without over firing the unit.

Living Design Range



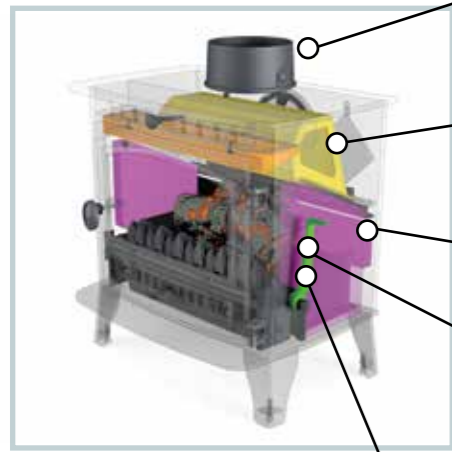
Independently CE Tested and Approved
Specified stoves in the Living Design Range have been independently certified meeting the stringent CE requirement.

Cleanburn Technology

Cleanburn technology means that more of the fuel is ignited, resulting in an increased heat output, less smoke and a cleaner environment.

Exceptionally Efficient

Currents of air inside the stove ensure that fuel is burnt evenly and efficiently.



Interchangeable Flue Outlets
Free standing stoves in the Living Design Range can be flued from either the top or the rear of the stove.

Easy Access for Chimney Sweeping
Every stove features a removable throat-plate, giving full and easy access for sweeping the chimney.

Internal Lining System
The internal lining system maximises the firebox temperature, ensuring complete combustion.

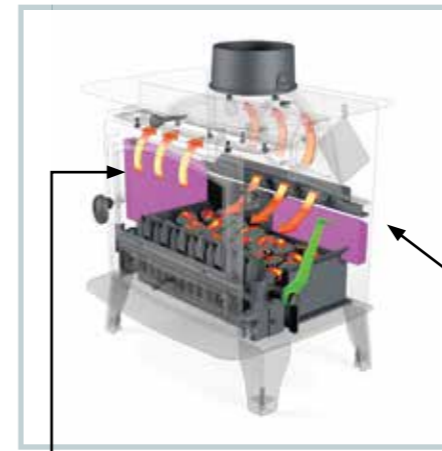
Cold-handled Riddling Tool
The cold-handled riddling tool can be used for opening and closing the doors, riddling the grate, grate adjustment and easy removal of the ash-pan.

From Wood to Multi-Fuel with a Single Movement of the Tool

The stove's integral grate can be changed from wood to multi-fuel setting with a single movement of the cold-handled riddling tool.



Virtually all of the Herald stoves are approved twice; for burning both wood and smokeless fuel



'Tertiary Air' re-ignites the un-burnt gases ensuring a cleaner burn.

The Herald **'Internal Lining System'** maximises the firebox temperature, ensuring complete combustion.

CLEANBURN, our innovative technology is not only better for the stoves, it's also better for the environment.

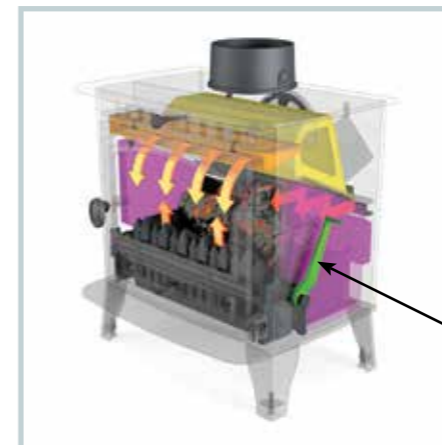
The idea behind Cleanburn is to maximise combustion, so that more fuel is burnt and less is turned into deposits in the stove, chimney, or atmosphere.

Our Cleanburn stoves have been proven to have lower emissions, which makes them among the most eco-friendly models on the market.



No need to scrub the glass door

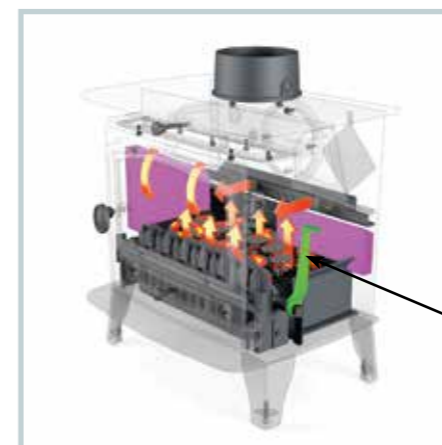
Our innovative airwash draws air from the top of the stove, heats it up in the Airwash chamber and then sends it down behind the glass door, creating a screen between the fire and the glass. Smoke or combustion particles do not come into contact with the glass, so you don't need to clean it.



Grate in 'back' closed position for burning wood

Optimum Woodburning Conditions

Three streams of hot air ensure that fuel is burned efficiently by maximising combustion. For wood, close the grate and allow a deep bed of ash to build up - the optimum conditions for combustion.



Grate in 'forward' open position for burning solid fuel

Optimum Smokeless Fuel Burning Conditions

When you're burning smokeless fuel, just switch the grate to the open position. Air flows beneath the grate and into the heart of the fire - the optimum conditions for burning solid fuel.

	Kestrel	Telford 5 Inset	Telford 8 Inset	Hawk 3/3D	Hawk 4/4D	Hawk 4/4D Double single	Hawk 4/4D Double Double	Herald 4	Compact 5	Herald 5 Slimline	Herald 6	Herald 6 Double Single	Herald 6 Double Double	Herald 8 Slimline	Inglenook	
DEFRA Approval	✓	✓	✓	~	✓	~	~	✓	✓	✓	✓	~	~	✓	~	
Heat Output Range (kW)	3.5 - 5.5	3 - 5	5 - 8	2.5 - 4.5	3.5 - 4.6	4 - 6	6 - 11	3.5 - 6	3.5 - 5.5	3.5 - 6	4 - 7.5	5 - 8	8 - 13	4.5 - 8	5 - 7.5	
Efficiency on wood %	76.8	77.1	75	80.5	72.8	72.7	75.4	78	76.0	74.1	75.9	75.8	76	72.4	83.6	
Emissions (CO ₂ %)	0.43	0.19	0.18	0.24	0.27	0.46	0.64	0.44	0.30	0.32	0.27	0.46	0.64	0.25	0.30	
Flat Top	✓	✓	✓	✓	✓	✓	✓	✓	✓	✓	✓	✓	✓	✓	✓	
Low Canopy Kit	~	~	~	~	•	~	~	•	~	•	•	•	•	•	•	
High Canopy Kit	~	~	~	~	~	~	~	•	~	•	•	•	•	•	•	
Double door option	~	~	•	~	~	~	~	✓	✓	✓	✓	✓	✓	✓	✓	
Single door option	✓	✓	✓	✓	✓	✓	✓	•	•	•	•	•	•	•	•	
Traditional door	~	~	~	•	•	•	•	~	~	~	~	~	~	~	~	
Contemporary 'D' door	~	~	~	•	•	•	•	~	~	~	~	~	~	~	~	
Minimum Hearth Thickness (mm)	125	125	125	125	125	Freestanding 12 Recessed 125	125	Freestanding 12 Recessed 125	Freestanding 12 Recessed 125	Freestanding 12 Recessed 125	Freestanding 12 Recessed 125	125	125	Freestanding 12 Recessed 125	125	
Clearances to Combustables (mm) *	Rear of stove 750 Side of Stove 400	Top of fire surround 200 Side of fire surround 150	Top of fire surround 275 Side of fire surround 100	Rear of stove 400 Side of Stove 350	Rear of stove 650 Side of Stove 400	Side of Stove 450	Side of Stove 900	Rear of stove 650 Side of Stove 400	Rear of stove 750 Side of Stove 350	Rear of stove 650 Side of Stove 400	Rear of stove 650 Side of Stove 400	Side of Stove 900	Side of Stove 900	Rear of stove 750 Side of Stove 450	Rear of stove 600 Side of Stove 300	
Clearances to Non Combustables (mm) *	Rear of stove 50 Side of Stove 50 Above the Stove 150	N/A	N/A	Rear of stove 50 Side of Stove 50 Above the Stove 150	Rear of stove 50 Side of Stove 50 Above the Stove 150	Rear of stove 50 Side of Stove 50 Above the Stove 150	Rear of stove 50 Side of Stove 50 Above the Stove 150	Rear of stove 50 Side of Stove 50 Above the Stove 150	Rear of stove 50 Side of Stove 50 Above the Stove 150	Rear of stove 50 Side of Stove 50 Above the Stove 150	Rear of stove 50 Side of Stove 50 Above the Stove 150	Rear of stove 50 Side of Stove 50 Above the Stove 150	Side of Stove 50 Above the Stove 150	Side of Stove 50 Above the Stove 150	Rear of stove 50 Side of Stove 50 Above the Stove 150	Rear of stove 50 Side of Stove 50 Above the Stove 150
Crosses	~	~	~	~	~	~	~	•	•	•	•	•	•	•	•	
Multi Fuel Option (Riddling Grate)	✓	✓	✓	✓	✓	✓	✓	✓	✓	✓	✓	✓	✓	✓	✓	
Wood Burning only option	~	~	~	•	•	•	•	•	•	•	•	•	•	•	~	
Black knob set	✓	✓	✓	✓	✓	✓	✓	✓	✓	✓	✓	✓	✓	✓	✓	
Brass Door Knob	~	~	~	•	•	•	•	•	•	•	•	•	•	•	•	
Full Brass Set	~	~	~	~	~	~	~	•	•	•	•	•	•	•	•	
Flue Damper	•	~	~	•	•	•	•	•	•	•	•	•	•	•	•	
Sparkguard ²	~	~	~	~	~	~	~	•	•	•	•	•	•	•	•	
Multi fuel Extension	~	~	~	~	•	•	•	•	•	•	•	•	•	•	~	
Flue Gather Box	•	~	~	•	•	~	~	•	•	•	•	~	~	•	•	
Clip in Boiler Option ¹	~	~	~	~	~	~	~	~	~	~	•	~	~	~	~	
Nominal (kW)	4.8	4.9	6.9	4.2	4.7	6	10.6	4	4.7	4.4	5.4	6.5	10.5	5	7.3	
Ventilation (mm ²)	NOT REQUIRED	NOT REQUIRED	550	NOT REQUIRED	NOT REQUIRED	550	3080	NOT REQUIRED	NOT REQUIRED	NOT REQUIRED	220	825	3025	NOT REQUIRED	1265	
Standard Leg lengths (mm)	38	~	~	80	124	124	124	125	124	130	1292	129	129	154	238	

NB. Ventilation is dependent on the permeability rating of the building.

For further details please visit:

<http://www.planningportal.gov.uk/buildingregulations/approveddocuments/partj/approved>

and download the free copy of Document J. Info about the ventilation and air permeability ratings is table 1 on page 29.

- = Defra Approved Multifuel only.
- ✓ = standard
- = option
- ~ = not available

1. Clip in Boiler model 1.5kw to room 4.0kw (13,600btu) to water. Not DEFRA approved.
2. Sparkguard - only available on double door options

* For full information regarding Clearance details, please refer to the Instruction manual. Instruction manuals can be found on our website:

www.hunterstoves.co.uk

at the bottom of the page.

Options



Whichever Herald stove you choose, you have a number of options to make it perfect for your interior. Talk to your supplier about the choices available on each stove.



Optional spark guard (Double door only)



Optional brass door knob and slider knobs



Optional flue gather box, can be used for rear flue installations with limited space."



Optional flue damper



Optional multi-fuel front extension for larger fuel loads

Here's an overview of the possibilities:

SINGLE OR DOUBLE DOOR?
Nearly all of our models are available as a single or double door. While the single door provides a larger viewing window, the double door gives a traditional appearance and even more so with the optional crosses fitted.



SINGLE OR DOUBLE-SIDED?
The Hawk 4 and Herald 6 can be built as double-sided stoves, which means both sides have doors. You can opt to have these in a double depth too, so the fuel bed is larger.



CANOPY?
Most models have a matching canopy which you can choose to add to your purchase. The Inglenook has a unique canopy which enhances its cottage-style look.



Heat outputs are dependent on fuel load and installation parameters. Overnight burning is dependent on fire box size, fuel load etc. Many thanks to B D Brooks Fireplaces, BWF Humphries, Focus Fireplaces for the provision of fireplaces/photography. Hunter Stoves Limited has a policy of continuous product improvement and therefore reserves the right to change specifications and designs at any time without prior notice.

Hunter Stoves Ltd. strongly recommends that the suitability of any installation should firstly be agreed with a HETAS qualified installer or similarly competent professional, to ensure compliance with the recent changes to the Building Regulations. Hunter Stoves Ltd. will not be held responsible for any losses, however arising, from inappropriate installations by unqualified or non-competent installers. An inappropriate installation may also invalidate claims made under a manufacturer's warranty or guarantee. NB. Please note that all weights are approximate and could vary slightly.

Please see the key on page 19 for all options available.

Heralds

Your Local Stockist

